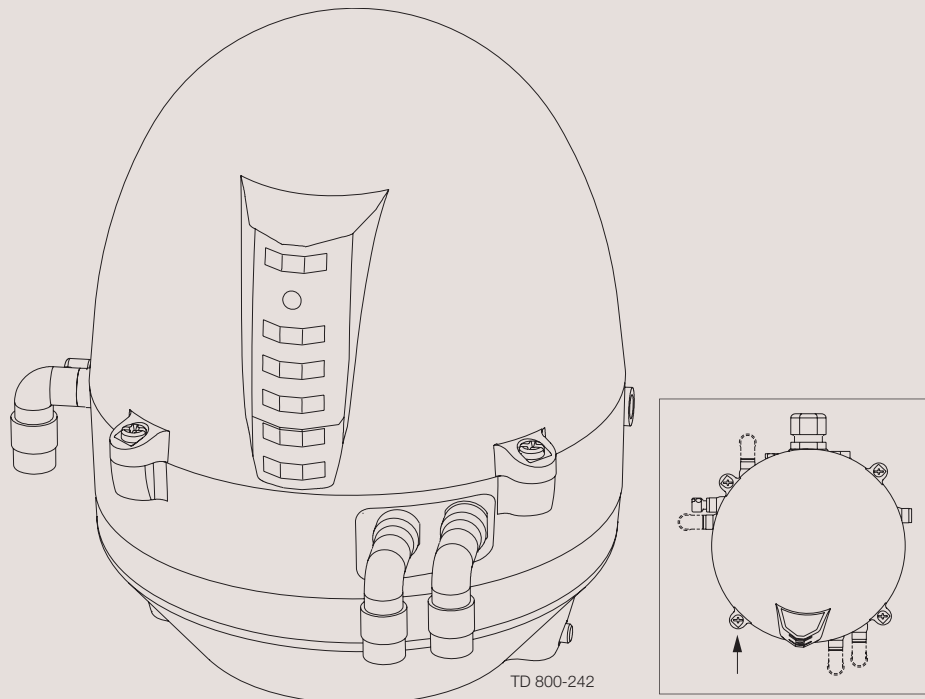




Spare Parts

ThinkTop®

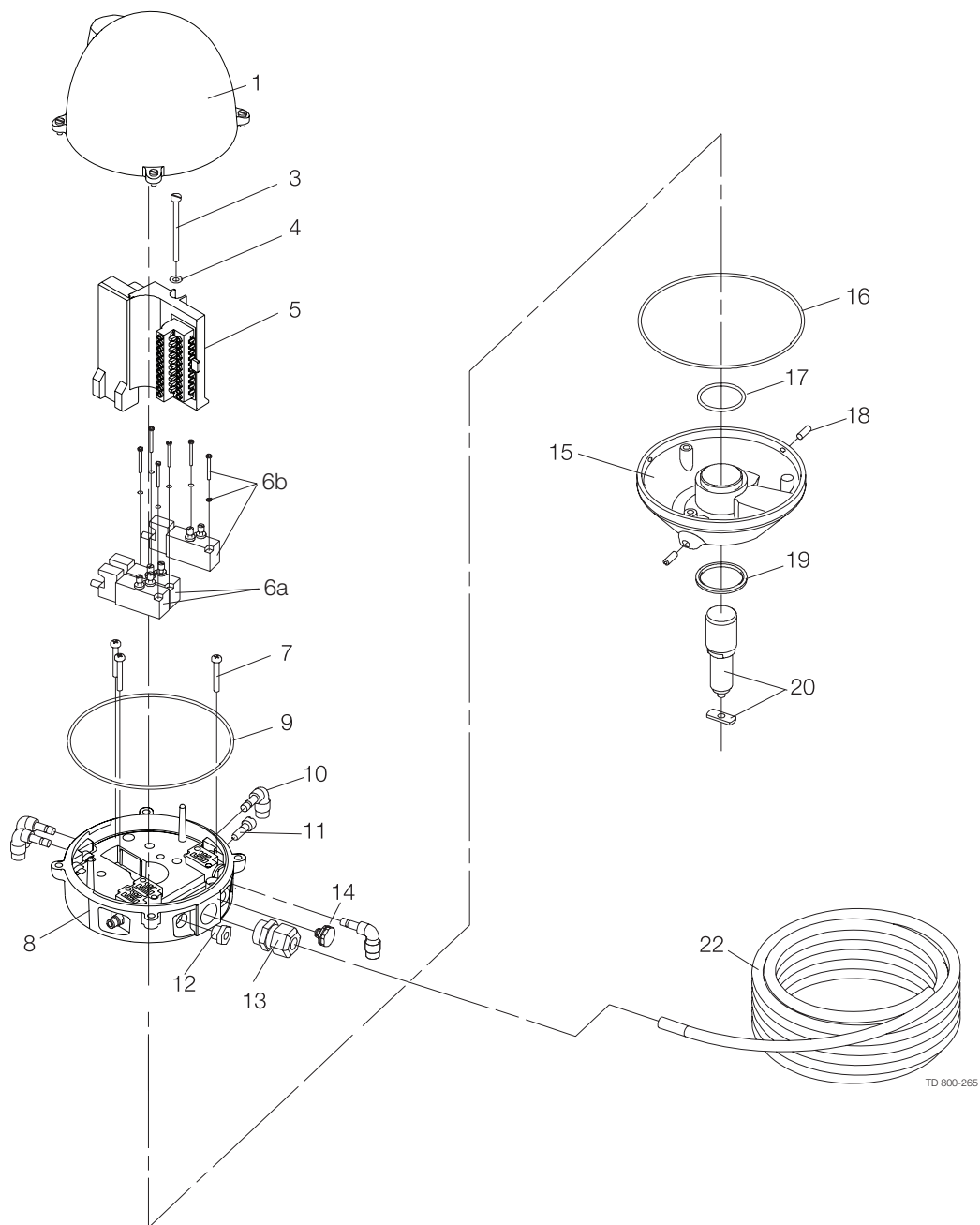


The Top is identified by 4 fastening screws.

This sparepart covers the instruction manuals ESE00353, ESE00354, ESE00355, ESE00356 and the installation instructions IM70830, IM70836, IM70839, IM70854, IM70851, IM70855, IM70852 and IM70853.

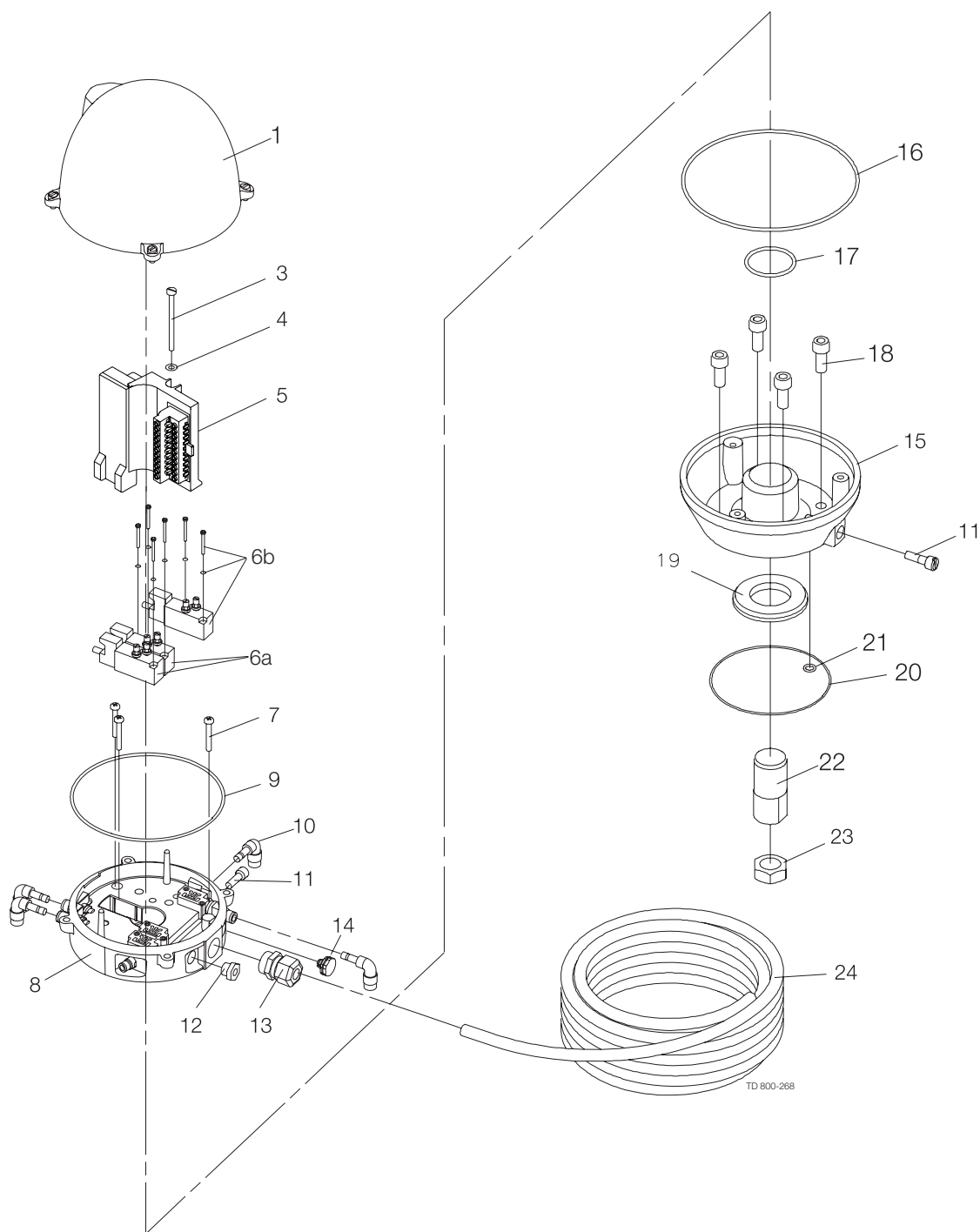
The information herein is correct at the time of issue but may be subject to change without prior notice

1. Digital 8-30 VDC PNP/NPN	4
2. Digital 8-30 VDC for Series 700	6
3. Digital 8-30 VAC NO/NC	8
4. Digital 8-30 VAC for Series 700	10
5. Digital 110 VAC NO/NC	12
6. Digital 110 VAC for Series 700	14
7. DeviceNet 11-25 VDC	16
8. DeviceNet 11-25 VDC for Series 700	18
9. AS-Interface 29.5-31.6 VDC	20
10. AS-Interface 29.5-31.6 VDC for Series 700	22

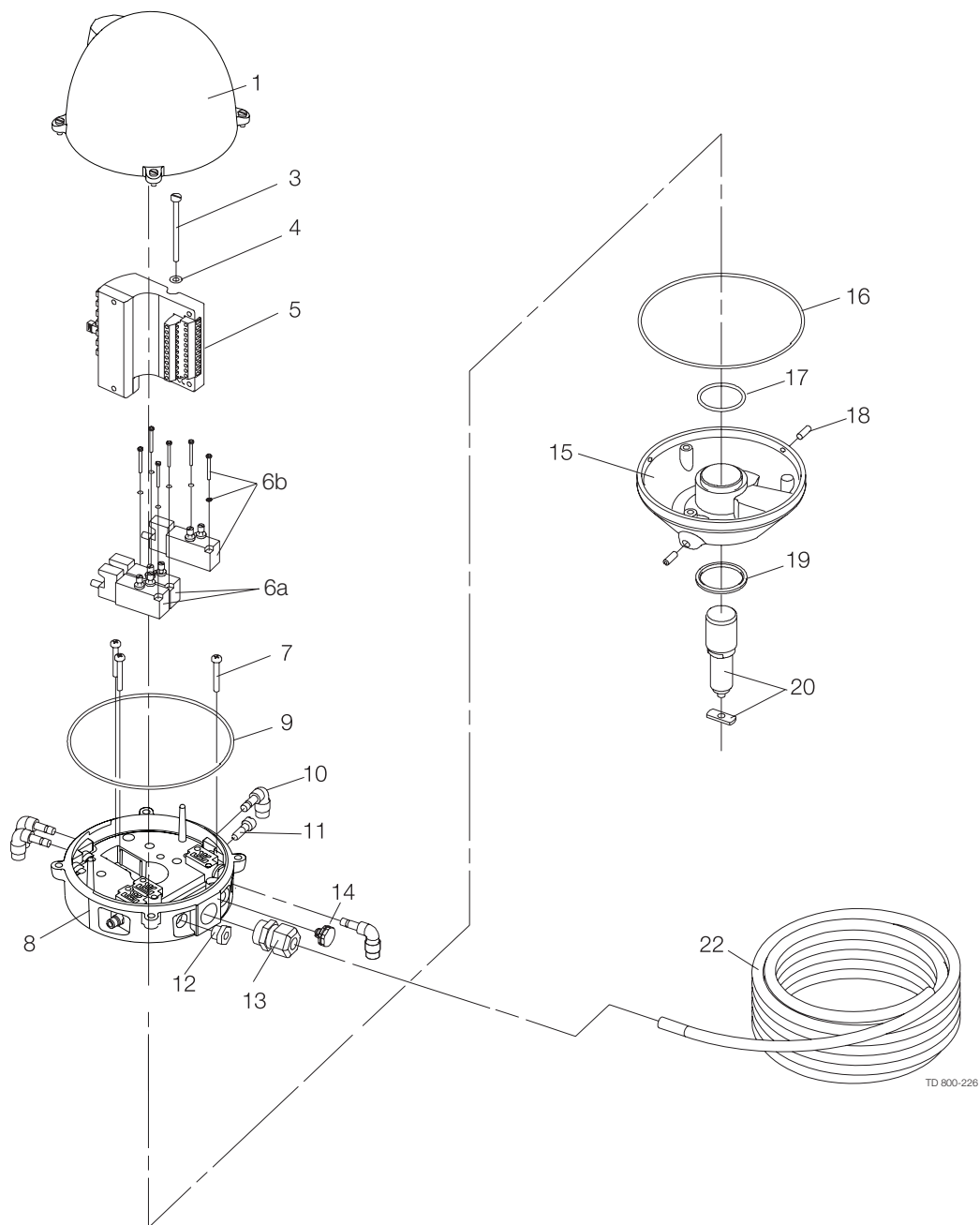


TD 800-265

Pos	Qty	Denomination	SRC, ARC, SMP-BC, SMP-SC SF, Unique Mixproof, Unique-TO, Unique SSV, Unique SSV Aseptic SMP-TO, LKB (LKLA-T), Koltek MH, AMP, SBV	Ø6 mm Air connection	1/4" Air connection
1	1	Shell complete	9613-4279-01		
3	1	Screw	9611-99-3458		
4	1	Washer	9611-99-3459		
5	1	Sensor board, Digital 8-30 VDC PNP/NPN (Period Q209-)	9613-4434-01		
	1	Sensor board, Digital 8-30 VDC PNP/NPN (Period -Q209)	9612-5627-01		
6a	1-3	Solenoid valve, 3/2, 24 VDC	9611-99-3324		
	1-3	Solenoid valve, 3/2, 24 VAC	9611-99-3325		
	1-3	Solenoid valve, 3/2, 110 VAC	9611-99-3326		
6b	1	Solenoid valve, 5/2, 24 VDC	9611-99-3327		
	1	Solenoid valve, 5/2, 24 VAC	9611-99-3328		
	1	Solenoid valve, 5/2, 110 VAC	9611-99-3329		
7	3	PT screw	9611-99-3457		
8	1	Base, complete, no solenoids (Pos.9,12,13,14 included)		9613-4284-01	9613-4282-01
	1	Base, complete, 3/2 24 VDC, one solenoid (Pos.9,10,11,12,13,14 included)		9613-4284-02	9613-4282-02
	1	Base, complete, 3/2 24 VDC, two solenoids (Pos.9,10,11,12,13,14 included)		9613-4284-08	9613-4282-08
	1	Base, complete, 3/2 24 VDC, three solenoids (Pos.9,10,11,12,13,14 included)		9613-4284-11	9613-4282-11
	1	Base, complete, 5/2 24 VDC, one solenoid (Pos.9,10,11,12,13,14 included)		9613-4284-03	9613-4282-03
	1	Base, complete, 3/2 24 VAC, one solenoid (Pos.9,10,11,12,13,14 included)		9613-4284-04	9613-4282-04
	1	Base, complete, 3/2 24 VAC, two solenoids (Pos.9,10,11,12,13,14 included)		9613-4284-09	9613-4282-09
	1	Base, complete, 3/2 24 VAC, three solenoids (Pos.9,10,11,12,13,14 included)		9613-4284-12	9613-4282-12
	1	Base, complete, 5/2 24 VAC, one solenoid (Pos.9,10,11,12,13,14 included)		9613-4284-05	9613-4282-05
	1	Base, complete, 3/2 110 VAC, one solenoid (Pos.9,10,11,12,13,14 included)		9613-4284-06	9613-4282-06
	1	Base, complete, 3/2 110 VAC, two solenoids (Pos.9,10,11,12,13,14 included)		9613-4284-10	9613-4282-10
	1	Base, complete, 3/2 110 VAC, three solenoids (Pos.9,10,11,12,13,14 included)		9613-4284-13	9613-4282-13
	1	Base, complete, 5/2 110 VAC, one solenoid (Pos.9,10,11,12,13,14 included)		9613-4284-07	9613-4282-07
9	1	Special X-ring, grey	9613-4564-01		
10	1	Air fitting		9611-99-3405	9611-99-3433
11	1	Blow-off valve	9612-5636-01		
12	1	Thread plug, PG7 ø3-ø6.5 mm	9611-99-3407		
13	1	Cable gland, PG11 ø4-ø10 mm	9611-99-3517		
14	1	Gore vent High airflow	9611-99-4722		
15	1	Adapter complete	9612-5621-01		
16	1	Special X-ring, black	9612-9994-01		
17	1	O-ring	9611-99-3350		
18	2	Allen screw	9611-99-3409		
19	1	Special X-ring	9612-5696-01		
20	1	Indication pin, complete	9612-5623-01		
	1	Indication pin, complete for Unique SSV LS	9613-1581-01		
	1	Indication, pin complete for Unique SSV High Pressure valve size 76.1-101.6mm/DN80-100	9613-1581-01		
	1	Indication pin, complete for SRC-LS: only stop valves size 63.5-101.6mm/DN65-100	9612-6370-01		
22	1	5 m flying PVC cable (12 x 0.5 mm ²) Digital	9611-99-3627		

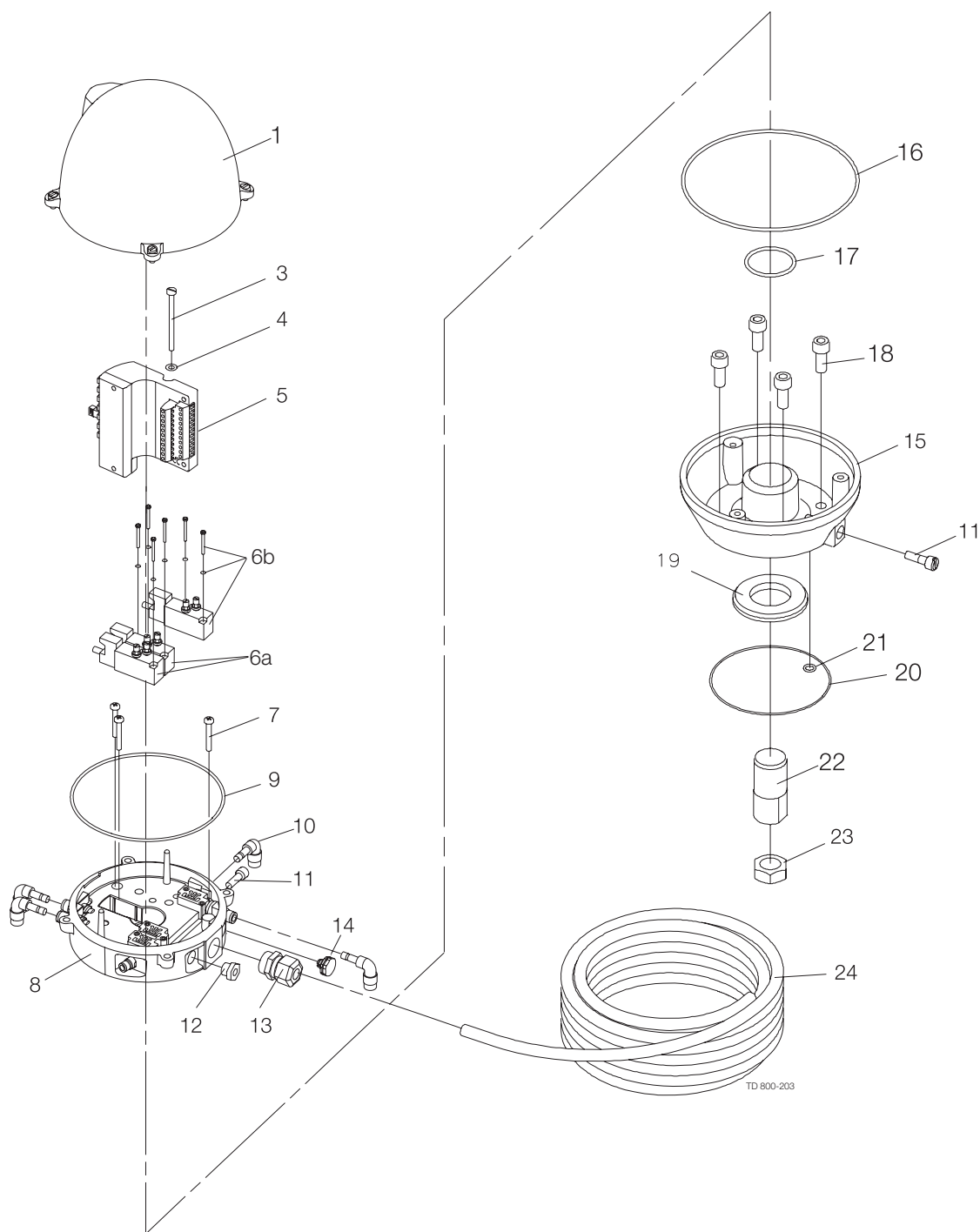


Pos	Qty	Denomination	1/4" Air connection
1	1	Shell complete	9613-4279-01
3	1	Screw	9611-99-3458
4	1	Washer	9611-99-3459
5	1	Sensor board, Digital 8-30 VDC PNP/NPN (Period Q209-)	9613-4434-01
	1	Sensor board, Digital 8-30 VDC PNP/NPN (Period -Q209)	9612-5627-01
6a	1-3	Solenoid valve, 3/2, 24 VDC	9611-99-3324
	1-3	Solenoid valve, 3/2, 24 VAC	9611-99-3325
	1-3	Solenoid valve, 3/2, 110 VAC	9611-99-3326
6b	1	Solenoid valve, 5/2, 24 VDC	9611-99-3327
	1	Solenoid valve, 5/2, 24 VAC	9611-99-3328
	1	Solenoid valve, 5/2, 110 VAC	9611-99-3329
7	3	PT screw	9611-99-3457
8	1	Base, complete, no solenoids	9613-4282-01
		(Pos.9,12,13,14 included)	
	1	Base, complete, 3/2 24 VDC, one solenoid	9613-4282-02
		(Pos.9,10,11,12,13,14 included)	
	1	Base, complete, 3/2 24 VDC, two solenoids	9613-4282-08
		(Pos.9,10,11,12,13,14 included)	
	1	Base, complete, 3/2 24 VDC, three solenoids	9613-4282-11
		(Pos.9,10,11,12,13,14 included)	
	1	Base, complete, 5/2 24 VDC, one solenoid	9613-4282-03
		(Pos.9,10,11,12,13,14 included)	
	1	Base, complete, 3/2 24 VAC, one solenoid	9613-4282-04
		(Pos.9,10,11,12,13,14 included)	
	1	Base, complete, 3/2 24 VAC, two solenoids	9613-4282-09
		(Pos.9,10,11,12,13,14 included)	
	1	Base, complete, 3/2 24 VAC, three solenoids	9613-4282-12
		(Pos.9,10,11,12,13,14 included)	
	1	Base, complete, 5/2 24 VAC, one solenoid	9613-4282-05
		(Pos.9,10,11,12,13,14 included)	
	1	Base, complete, 3/2 110 VAC, one solenoid	9613-4282-06
		(Pos.9,10,11,12,13,14 included)	
	1	Base, complete, 3/2 110 VAC, two solenoids	9613-4282-10
		(Pos.9,10,11,12,13,14 included)	
	1	Base, complete, 3/2 110 VAC, three solenoids	9613-4282-13
		(Pos.9,10,11,12,13,14 included)	
	1	Base, complete, 5/2 110 VAC, one solenoid	9613-4282-07
		(Pos.9,10,11,12,13,14 included)	
9	1	Special X-ring, grey	9613-4564-01
10	1	Air fitting	9611-99-3433
11	2	Blow-off valve	9612-5636-01
12	1	Thread plug, PG7 ø3-ø6.5 mm	9611-99-3407
13	1	Cable gland, PG11 ø4-ø10 mm	9611-99-3517
14	1	Gore vent High airflow	9611-99-4722
15	1	Adapter complete	9612-6358-02
16	1	Special X-ring, black	9612-9994-01
17	1	O-ring	9611-99-3350
18	4	Screw	9611-99-3763
19	1	Retainer	9611-99-4203
20	1	O-ring	9611-99-3689
21	1	O-ring	9611-99-3690
22	1	Indicator pin	9612-6357-02
23	1	Nut	9611-99-3764
24	1	5 m flying PVC cable (12 x 0.5 mm ²) Digital	9611-99-3627



TD 800-226

Pos	Qty	Denomination	SRC, ARC, SMP-BC, SMP-SC SF, Unique Mixproof, Unique-TO, Unique SSV, Unique SSV Aseptic, SMP-TO, LKB (LKLA-T), Koltek MH, AMP, SBV	Ø6 mm Air connection	1/4" Air connection
1	1	Shell complete	9613-4279-01		
3	1	Screw	9611-99-3458		
4	1	Washer	9611-99-3459		
5	1	Sensor board Digital 8-30 VAC NO/NC	9612-5627-02		
6a	1-3	Solenoid valve, 3/2, 24 VDC	9611-99-3324		
	1-3	Solenoid valve, 3/2, 24 VAC	9611-99-3325		
	1-3	Solenoid valve, 3/2, 110 VAC	9611-99-3326		
6b	1	Solenoid valve, 5/2, 24 VDC	9611-99-3327		
	1	Solenoid valve, 5/2, 24 VAC	9611-99-3328		
	1	Solenoid valve, 5/2, 110 VAC	9611-99-3329		
7	3	PT screw	9611-99-3457		
8	1	Base, complete, no solenoids (Pos.9,12,13,14 included)		9613-4284-01	9613-4282-01
	1	Base, complete, 3/2 24 VDC, one solenoids (Pos.9,10,11,12,13,14 included)		9613-4284-02	9613-4282-02
	1	Base, complete, 3/2 24 VDC, two solenoids (Pos.9,10,11,12,13,14 included)		9613-4284-08	9613-4282-08
	1	Base, complete, 3/2 24 VDC, three solenoids (Pos.9,10,11,12,13,14 included)		9613-4284-11	9613-4282-11
	1	Base, complete, 5/2 24 VDC, one solenoid (Pos.9,10,11,12,13,14 included)		9613-4284-03	9613-4282-03
	1	Base, complete, 3/2 24 VAC, one solenoids (Pos.9,10,11,12,13,14 included)		9613-4284-04	9613-4282-04
	1	Base, complete, 3/2 24 VAC, two solenoids (Pos.9,10,11,12,13,14 included)		9613-4284-09	9613-4282-09
	1	Base, complete, 3/2 24 VAC, three solenoids (Pos.9,10,11,12,13,14 included)		9613-4284-12	9613-4282-12
	1	Base, complete, 5/2 24 VAC, one solenoid (Pos.9,10,11,12,13,14 included)		9613-4284-05	9613-4282-05
	1	Base, complete, 3/2 110 VAC, one solenoid (Pos.9,10,11,12,13,14 included)		9613-4284-06	9613-4282-06
	1	Base, complete, 3/2 110 VAC, two solenoids (Pos.9,10,11,12,13,14 included)		9613-4284-10	9613-4282-10
	1	Base, complete, 3/2 110 VAC, three solenoids (Pos.9,10,11,12,13,14 included)		9613-4284-13	9613-4282-13
	1	Base, complete, 5/2 110 VAC, one solenoid (Pos.9,10,11,12,13,14 included)		9613-4284-07	9613-4282-07
9	1	Special X-ring, grey	9613-4564-01		
10	1	Air fitting		9611-99-3405	9611-99-3433
11	1	Blow-off valve	9612-5636-01		
12	1	Thread plug, PG7 ø3-ø6.5 mm	9611-99-3407		
13	1	Cable gland, PG11 ø4-ø10 mm	9611-99-3517		
14	1	Gore vent High airflow	9611-99-4722		
15	1	Adapter complete (Pos. 17,18,19 included)	9612-5621-01		
16	1	Special X-ring, black	9612-9994-01		
17	1	O-ring	9611-99-3350		
18	2	Allen screw	9611-99-3409		
19	1	Special X-ring	9612-5696-01		
20	1	Indication pin, complete	9612-5623-01		
	1	Indication pin, complete for Unique SSV LS	9613-1581-01		
	1	Indication, pin complete for Unique SSV High Pressure valve size 76.1-101.6mm/DN80-100	9613-1581-01		
	1	Indication pin, complete for SRC-LS: only stop valves size 63.5-101.6mm/DN65-100	9612-6370-01		
22	1	5m. flying PVC cable (12x0.5 mm ²) Digital	9611-99-3627		

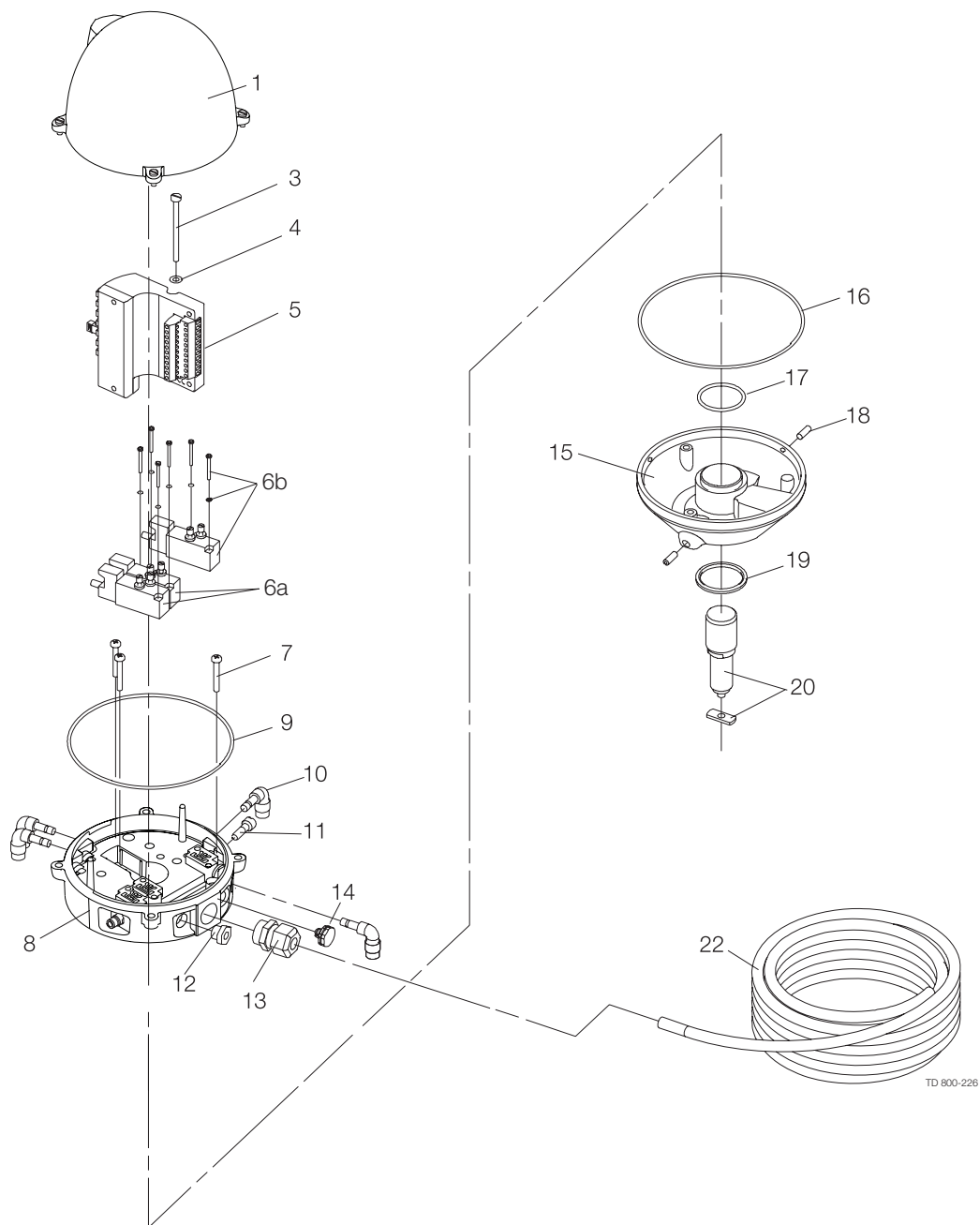


TD 800-203

Digital 8-30 VAC for Series 700

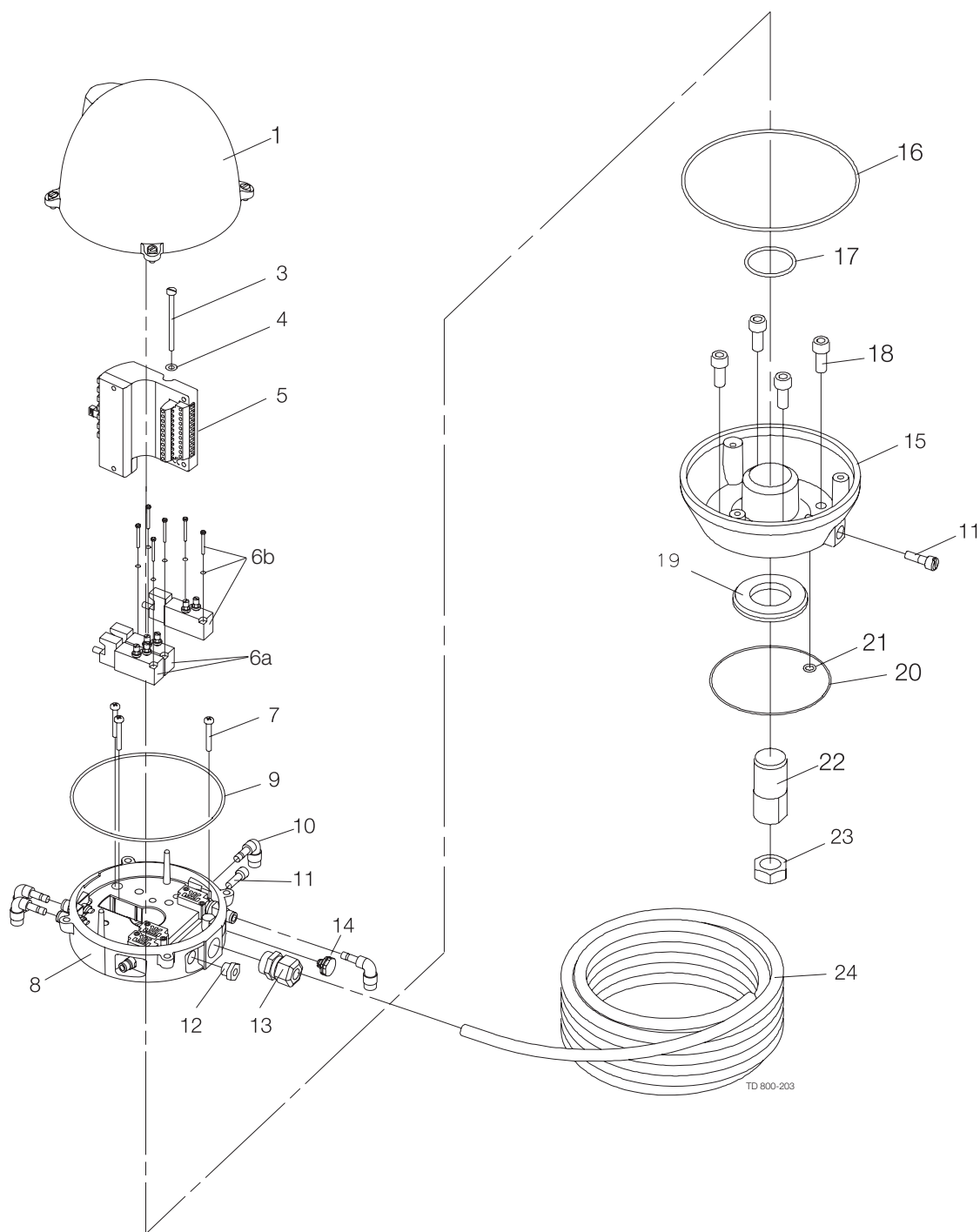
Pos	Qty	Denomination	1/4" Air connection
1	1	Shell complete	9613-4279-01
3	1	Screw	9611-99-3458
4	1	Washer	9611-99-3459
5	1	Sensor board Digital 8-30 VAC NO/NC	9612-5627-02
6a	1-3	Solenoid valve, 3/2, 24 VDC	9611-99-3324
	1-3	Solenoid valve, 3/2, 24 VAC	9611-99-3325
	1-3	Solenoid valve, 3/2, 110 VAC	9611-99-3326
6b	1	Solenoid valve, 5/2, 24 VDC	9611-99-3327
	1	Solenoid valve, 5/2, 24 VAC	9611-99-3328
	1	Solenoid valve, 5/2, 110 VAC	9611-99-3329
7	3	PT screw	9611-99-3457
8	1	Base, complete, no solenoids	9613-4282-01
		(Pos.9,12,13,14 included)	
	1	Base, complete, 3/2 24 VDC, one solenoid	9613-4282-02
		(Pos.9,10,11,12,13,14 included)	
	1	Base, complete, 3/2 24 VDC, two solenoids	9613-4282-08
		(Pos.9,10,11,12,13,14 included)	
	1	Base, complete, 3/2 24 VDC, three solenoids	9613-4282-11
		(Pos.9,10,11,12,13,14 included)	
	1	Base, complete, 5/2 24 VDC, one solenoid	9613-4282-03
		(Pos.9,10,11,12,13,14 included)	
	1	Base, complete, 3/2 24 VAC, one solenoid	9613-4282-04
		(Pos.9,10,11,12,13,14 included)	
	1	Base, complete, 3/2 24 VAC, two solenoids	9613-4282-09
		(Pos.9,10,11,12,13,14 included)	
	1	Base, complete, 3/2 24 VAC, three solenoids	9613-4282-12
		(Pos.9,10,11,12,13,14 included)	
	1	Base, complete, 5/2 24 VAC, one solenoid	9613-4282-05
		(Pos.9,10,11,12,13,14 included)	
	1	Base, complete, 3/2 110 VAC, one solenoid	9613-4282-06
		(Pos.9,10,11,12,13,14 included)	
	1	Base, complete, 3/2 110 VAC, two solenoids	9613-4282-10
		(Pos.9,10,11,12,13,14 included)	
	1	Base, complete, 3/2 110 VAC, three solenoids	9613-4282-13
		(Pos.9,10,11,12,13,14 included)	
	1	Base, complete, 5/2 110 VAC, one solenoid	9613-4282-07
		(Pos.9,10,11,12,13,14 included)	
9	1	Special X-ring, grey	9613-4564-01
10	1	Air fitting	9611-99-3433
11	2	Blow-off valve	9612-5636-01
12	1	Thread plug, PG7 ø3-ø6.5 mm	9611-99-3407
13	1	Cable gland, PG11 ø4-ø10 mm	9611-99-3517
14	1	Gore vent High airflow	9611-99-4722
15	1	Adapter complete (pos. 11, 16, 17 included)	9612-6358-02
16	1	Special X-ring, black	9612-9994-01
17	1	O-ring	9611-99-3350
18	4	Screw	9611-99-3763
19	1	Retainer	9611-99-4203
20	1	O-ring	9611-99-3689
21	1	O-ring	9611-99-3690
22	1	Indicator pin	9612-6357-02
23	1	Nut	9611-99-3764
24	1	5m flying PVC cable (12x0.5 mm ²) Digital	9611-99-3627

TD 900-391/2



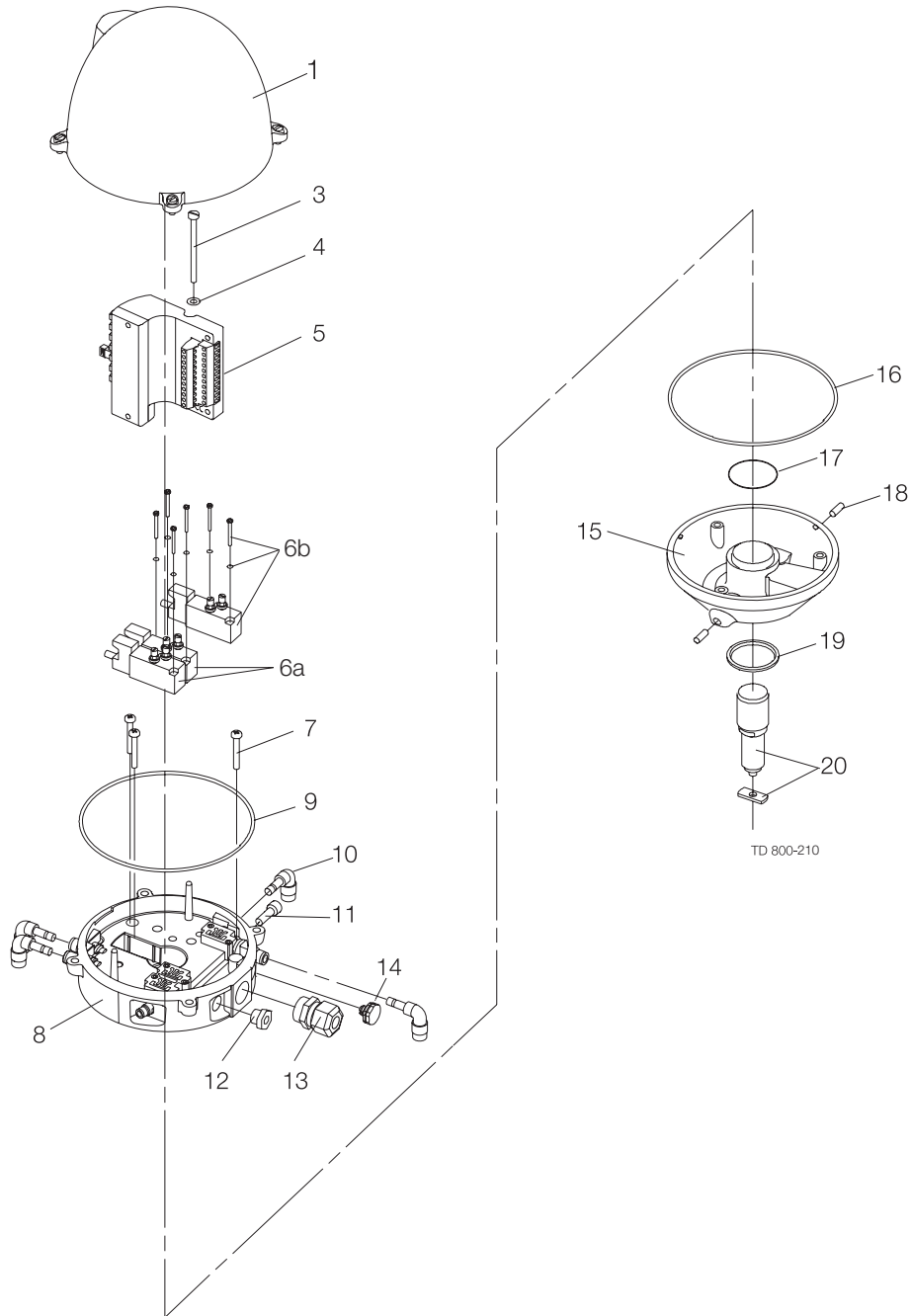
TD 800-226

Pos	Qty	Denomination	SRC, ARC, SMP-BC, SMP-SC SF, Unique Mixproof, Unique-TO, Unique SSV, Unique SSV Aseptic, SMP-TO, LKB (LKLA-T), Koltek MH, AMP, SBV	Ø6 mm Air connection	1/4" Air connection
1	1	Shell complete	9613-4279-01		
3	1	Screw	9611-99-3458		
4	1	Washer	9611-99-3459		
5	1	Sensor board Digital 110 VAC NO/NC	9612-5627-05		
6a	1-3	Solenoid valve, 3/2, 24 VDC	9611-99-3324		
	1-3	Solenoid valve, 3/2, 24 VAC	9611-99-3325		
	1-3	Solenoid valve, 3/2, 110 VAC	9611-99-3326		
6b	1	Solenoid valve, 5/2, 24 VDC	9611-99-3327		
	1	Solenoid valve, 5/2, 24 VAC	9611-99-3328		
	1	Solenoid valve, 5/2, 110 VAC	9611-99-3329		
7	3	PT screw	9611-99-3457		
8	1	Base, complete, no solenoids (Pos.9,12,13,14 included)		9613-4284-01	9613-4282-01
	1	Base, complete, 3/2 24 VDC, one solenoids (Pos.9,10,11,12,13,14 included)		9613-4284-02	9613-4282-02
	1	Base, complete, 3/2 24 VDC, two solenoids (Pos.9,10,11,12,13,14 included)		9613-4284-08	9613-4282-08
	1	Base, complete, 3/2 24 VDC, three solenoids (Pos.9,10,11,12,13,14 included)		9613-4284-11	9613-4282-11
	1	Base, complete, 5/2 24 VDC, one solenoid (Pos.9,10,11,12,13,14 included)		9613-4284-03	9613-4282-03
	1	Base, complete, 3/2 24 VAC, one solenoids (Pos.9,10,11,12,13,14 included)		9613-4284-04	9613-4282-04
	1	Base, complete, 3/2 24 VAC, two solenoids (Pos.9,10,11,12,13,14 included)		9613-4284-09	9613-4282-09
	1	Base, complete, 3/2 24 VAC, three solenoids (Pos.9,10,11,12,13,14 included)		9613-4284-12	9613-4282-12
	1	Base, complete, 5/2 24 VAC, one solenoid (Pos.9,10,11,12,13,14 included)		9613-4284-05	9613-4282-05
	1	Base, complete, 3/2 110 VAC, one solenoid (Pos.9,10,11,12,13,14 included)		9613-4284-06	9613-4282-06
	1	Base, complete, 3/2 110 VAC, two solenoids (Pos.9,10,11,12,13,14 included)		9613-4284-10	9613-4282-10
	1	Base, complete, 3/2 110 VAC, three solenoids (Pos.9,10,11,12,13,14 included)		9613-4284-13	9613-4282-13
	1	Base, complete, 5/2 110 VAC, one solenoid (Pos.9,10,11,12,13,14 included)		9613-4284-07	9613-4282-07
9	1	Special X-ring, grey	9613-4564-01		
10	1	Air fitting		9611-99-3405	9611-99-3433
11	1	Blow-off valve	9612-5636-01		
12	1	Thread plug, PG7 ø3-ø6.5 mm	9611-99-3407		
13	1	Cable gland, PG11 ø4-ø10 mm	9611-99-3517		
14	1	Gore vent High airflow	9611-99-4722		
15	1	Adapter complete (Pos. 17,18,19 included)	9612-5621-01		
16	1	Special X-ring, black	9612-9994-01		
17	1	O-ring	9611-99-3350		
18	2	Allen screw	9611-99-3409		
19	1	Special X-ring	9612-5696-01		
20	1	Indication pin, complete	9612-5623-01		
	1	Indication pin, complete for Unique SSV LS	9613-1581-01		
	1	Indication, pin complete for Unique SSV High Pressure valve size 76.1-101.6mm/DN80-100	9613-1581-01		
	1	Indication pin, complete for SRC-LS: only stop valves size 63.5-101.6mm/DN65-100	9612-6370-01		
22	1	5m. flying PVC cable (12x0.5 mm ²) Digital	9611-99-3627		



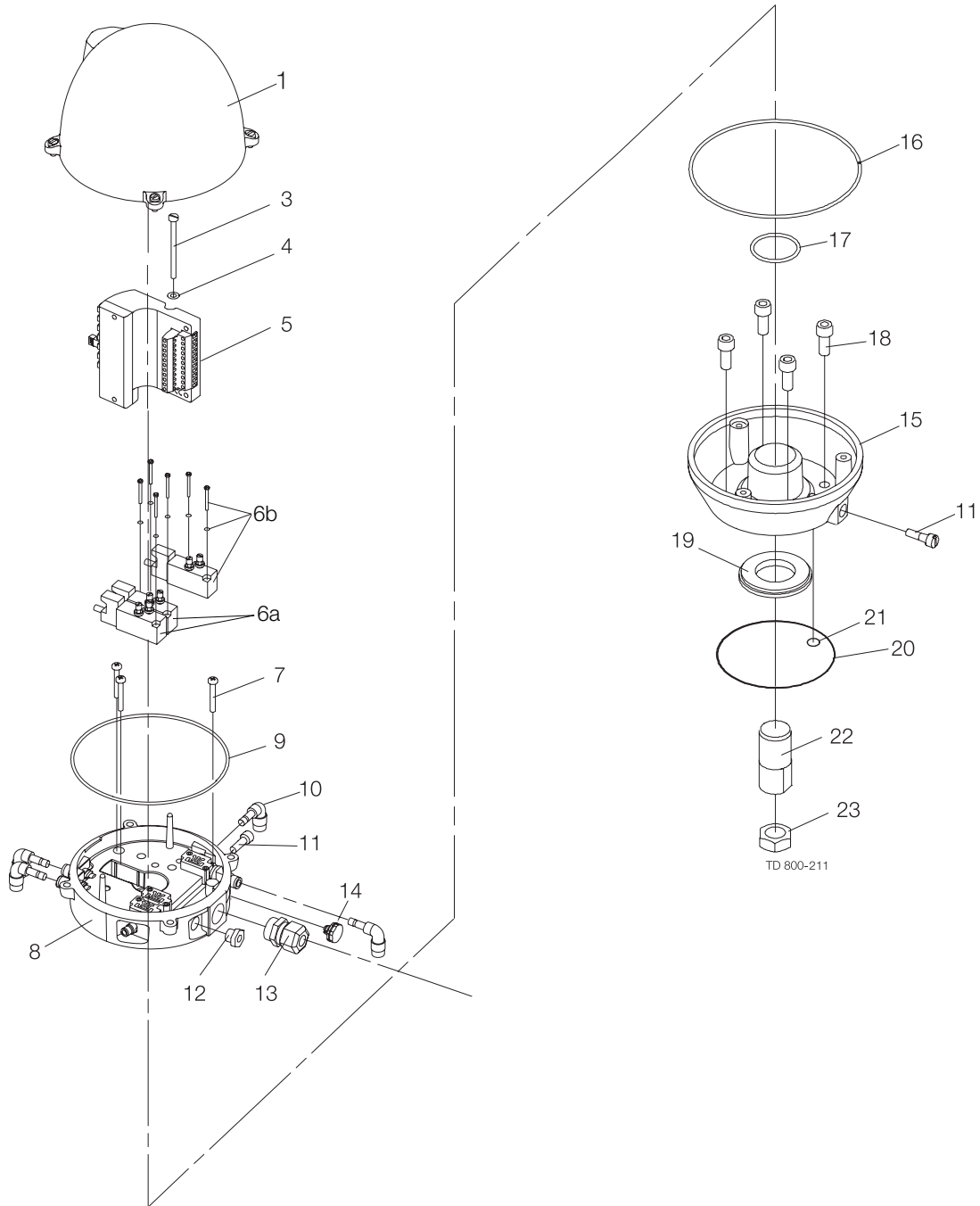
TD 800-203

Pos	Qty	Denomination	1/4" Air connection
1	1	Shell complete	9613-4279-01
3	1	Screw	9611-99-3458
4	1	Washer	9611-99-3459
5	1	Sensor board Digital 110 VAC NO/NC	9612-5627-05
6a	1-3	Solenoid valve, 3/2, 24 VDC	9611-99-3324
	1-3	Solenoid valve, 3/2, 24 VAC	9611-99-3325
	1-3	Solenoid valve, 3/2, 110 VAC	9611-99-3326
6b	1	Solenoid valve, 5/2, 24 VDC	9611-99-3327
	1	Solenoid valve, 5/2, 24 VAC	9611-99-3328
	1	Solenoid valve, 5/2, 110 VAC	9611-99-3329
7	3	PT screw	9611-99-3457
8	1	Base, complete, no solenoids (Pos.9,12,13,14 included)	9613-4282-01
	1	Base, complete, 3/2 24 VDC, one solenoid (Pos.9,10,11,12,13,14 included)	9613-4282-02
	1	Base, complete, 3/2 24 VDC, two solenoids (Pos.9,10,11,12,13,14 included)	9613-4282-08
	1	Base, complete, 3/2 24 VDC, three solenoids (Pos.9,10,11,12,13,14 included)	9613-4282-11
	1	Base, complete, 5/2 24 VDC, one solenoid (Pos.9,10,11,12,13,14 included)	9613-4282-03
	1	Base, complete, 3/2 24 VAC, one solenoid (Pos.9,10,11,12,13,14 included)	9613-4282-04
	1	Base, complete, 3/2 24 VAC, two solenoids (Pos.9,10,11,12,13,14 included)	9613-4282-09
	1	Base, complete, 3/2 24 VAC, three solenoids (Pos.9,10,11,12,13,14 included)	9613-4282-12
	1	Base, complete, 5/2 24 VAC, one solenoid (Pos.9,10,11,12,13,14 included)	9613-4282-05
	1	Base, complete, 3/2 110 VAC, one solenoid (Pos.9,10,11,12,13,14 included)	9613-4282-06
	1	Base, complete, 3/2 110 VAC, two solenoids (Pos.9,10,11,12,13,14 included)	9613-4282-10
	1	Base, complete, 3/2 110 VAC, three solenoids (Pos.9,10,11,12,13,14 included)	9613-4282-13
	1	Base, complete, 5/2 110 VAC, one solenoid (Pos.9,10,11,12,13,14 included)	9613-4282-07
9	1	Special X-ring, grey	9613-4564-01
10	1	Air fitting	9611-99-3433
11	2	Blow-off valve	9612-5636-01
12	1	Thread plug, PG7 ø3-ø6.5 mm	9611-99-3407
13	1	Cable gland, PG11 ø4-ø10 mm	9611-99-3517
14	1	Gore vent High airflow	9611-99-4722
15	1	Adapter complete (pos. 11, 16, 17 included)	9612-6358-02
16	1	Special X-ring, black	9612-9994-01
17	1	O-ring	9611-99-3350
18	4	Screw	9611-99-3763
19	1	Retainer	9611-99-4203
20	1	O-ring	9611-99-3689
21	1	O-ring	9611-99-3690
22	1	Indicator pin	9612-6357-02
23	1	Nut	9611-99-3764
24	1	5m flying PVC cable (12x0.5 mm ²) Digital	9611-99-3627



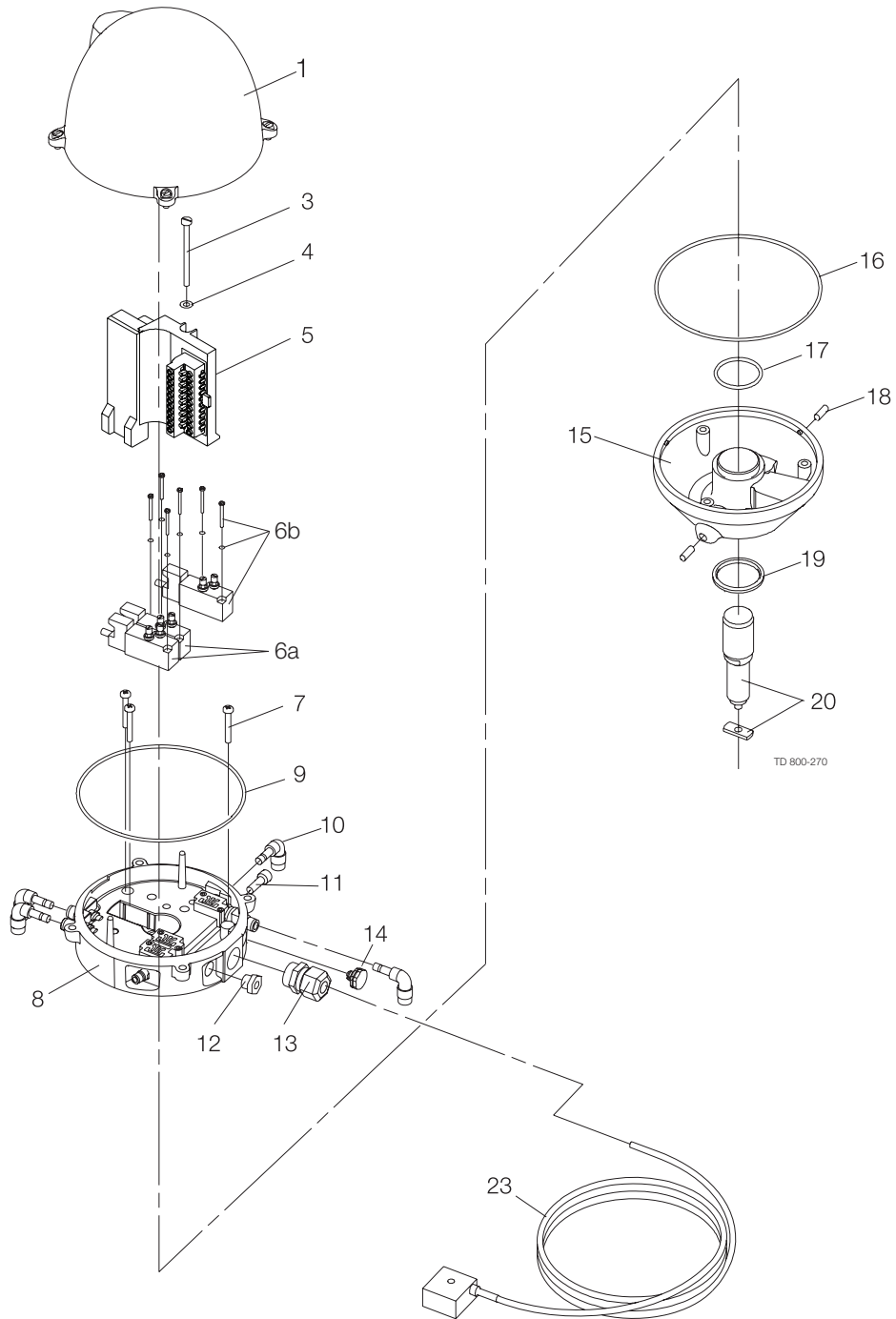
Pos	Qty	Denomination	SRC, ARC, SMP-BC, SMP-SC SF, Unique Mixproof, Unique-TO, Unique SSV, Unique SSV Aseptic, SMP-TO, LKB (LKLA-T), Koltek MH, AMP, SBV	Ø6 mm Air connection	1/4" Air connection
1	1	Shell complete	9613-4279-01		
3	1	Screw	9611-99-3458		
4	1	Washer	9611-99-3459		
5	1	Sensor board DeviceNet 11-25 VDC	9612-5627-04		
6a	1-3	Solenoid valve, 3/2, 8 VDC	9611-99-3748		
6b	1	Solenoid valve, 5/2, 8 VDC	9611-99-3749		
7	3	PT screw	9611-99-3457		
8	1	Base, complete, no solenoids (Pos.9,12,13,14 included)		9613-4284-01	9613-4282-01
	1	Base, complete, 3/2 8 VDC, one solenoid (Pos. 9,10,11,12,13,14 included)		9613-4284-16	9613-4282-16
	1	Base, complete, 3/2 8 VDC, two solenoids (Pos. 9,10,11,12,13,14 included)		9613-4284-17	9613-4282-17
	1	Base, complete, 3/2, 8 VDC, three solenoids (Pos. 9,10,11,12,13,14 included)		9613-4284-18	9613-4282-18
	1	Base, complete, 5/2 8 VDC, one solenoid (Pos. 9,10,11,12,13,14 included)		9613-4284-19	9613-4282-19
9	1	Special X-ring, grey	9613-4564-01		
10	1	Air fitting		9611-99-3405	9611-99-3433
11	1	Blow-off valve	9612-5636-01		
12	1	Thread plug, PG7 ø3-ø6.5 mm	9611-99-3407		
13	1	Cable gland, PG11 ø4-ø10 mm	9611-99-3517		
14	1	Gore vent High airflow	9611-99-4722		
15	1	Adapter complete (Pos. 17,18,19 included)	9612-5621-01		
16	1	Special X-ring, black	9612-9994-01		
17	1	O-ring	9611-99-3350		
18	2	Allen screw	9611-99-3409		
19	1	Special X-ring	9612-5696-01		
20	1	Indication pin, complete	9612-5623-01		
	1	Indication pin, complete for Unique SSV LS	9613-1581-01		
	1	Indication pin, complete for Unique SSV High Pressure valve size 76.1-101.6mm/DN80-100	9613-1581-01		
	1	Indication pin, complete for SRC-LS: only stop valves size 63.5-101.6mm/DN65-100	9612-6370-01		

TD 900-388/2

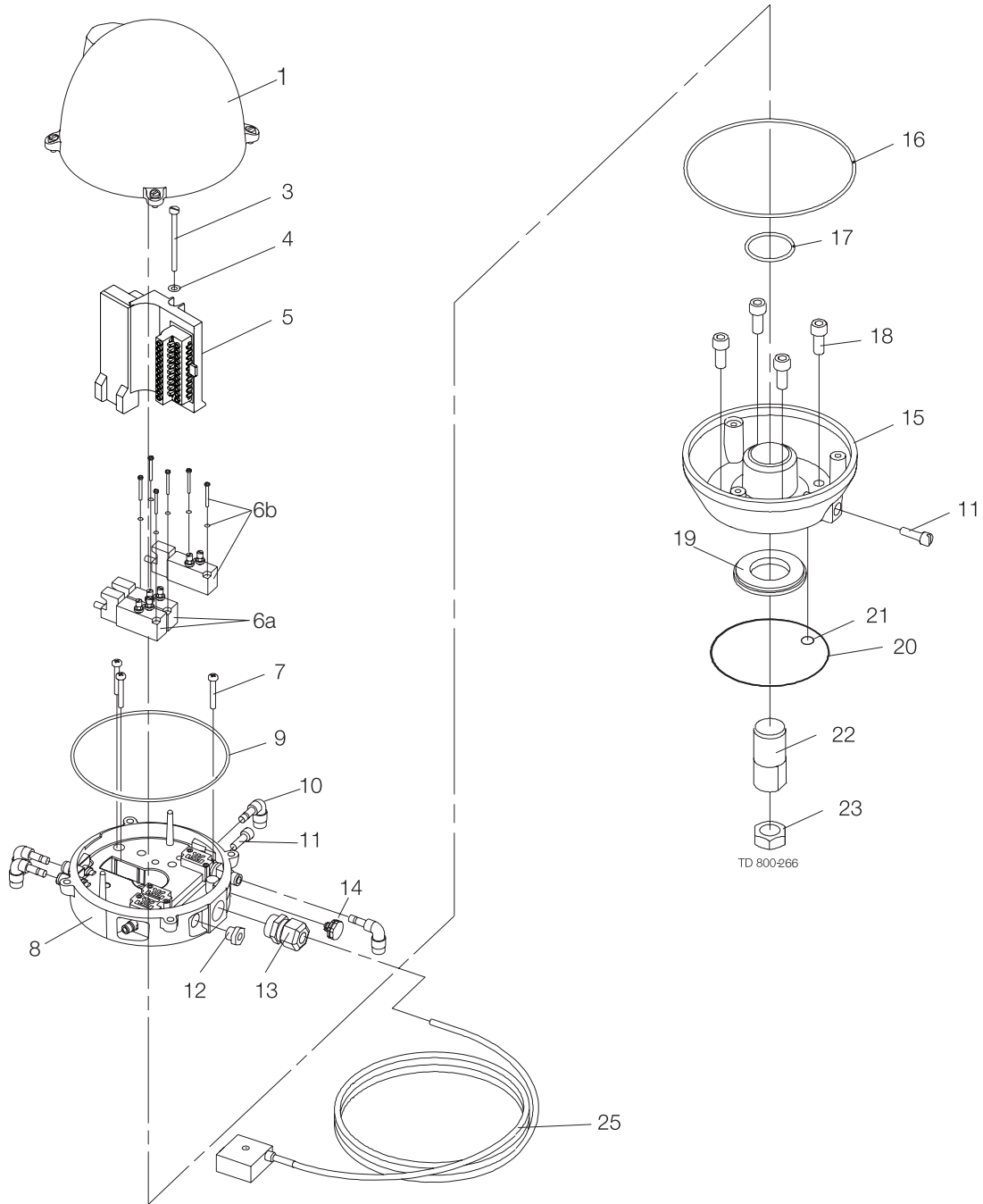


Pos	Qty	Denomination	1/4" Air connection
1	1	Shell complete	9613-4279-01
3	1	Screw	9611-99-3458
4	1	Washer	9611-99-3459
5	1	Sensor board DeviceNet 11-25 VDC	9612-5627-04
6a	1-3	Solenoid valve, 3/2, 8 VDC	9611-99-3748
6b	1	Solenoid valve, 5/2, 8 VDC	9611-99-3749
7	3	PT screw	9611-99-3457
8	1	Base, complete, no solenoids	9613-4282-01
		(Pos.9,12,13,14 included)	
	1	Base, complete, 3/2 8 VDC, one solenoid	9613-4282-16
		(Pos. 9, 10, 11, 12, 13, 14 included)	
	1	Base, complete, 3/2 8 VDC, two solenoids	9613-4282-17
		(Pos. 9, 10, 11, 12, 13, 14 included)	
	1	Base, complete, 3/2, 8 VDC, three solenoids	9613-4282-18
		(Pos. 9, 10, 11, 12, 13, 14 included)	
	1	Base, complete, 5/2 8 VDC, one solenoid	9613-4282-19
		(Pos. 9, 10, 11, 12, 13, 14 included)	
9	1	Special X-ring, grey	9613-4564-01
10	1	Air fitting	9611-99-3433
11	2	Blow-off valve	9612-5636-01
12	1	Thread plug, PG7 ø3-ø6.5 mm	9611-99-3407
13	1	Cable gland, PG11 ø4-ø10 mm	9611-99-3517
14	1	Gore vent High airflow	9611-99-4722
15	1	Adapter complete (pos. 11, 16, 17 included)	9612-6358-02
16	1	Special X-ring, black	9612-9994-01
17	1	O-ring	9611-99-3350
18	4	Screw	9611-99-3763
19	1	Retainer	9611-99-4203
20	1	O-ring	9611-99-3689
21	1	O-ring	9611-99-3690
22	1	Indicator pin	9612-6357-02
23	1	Nut	9611-99-3764

TD 900-392/2



Pos	Qty	Denomination	SRC, ARC, SMP-BC, SMP-SC SF, Unique Mixproof, Unique-TO, Unique SSV, Unique SSV Aseptic, SMP-TO, LKB (LKLA-T), Koltek MH, AMP, SBV	Ø6 mm Air connection	1/4" Air connection
1	1	Shell complete	9613-4279-01		
3	1	Screw	9611-99-3458		
4	1	Washer	9611-99-3459		
5	1	Sensor board, AS-Interface v.2.11 (31 node) (Period Q209-)	9613-4434-02		
	1	Sensor board, AS-Interface v. 3.0 (62 node) (Period Q209-)	9613-4434-03		
	1	Sensor board, AS-Interface 29.5-31.6 VDC (Period -Q209)	9612-5627-03		
6a	1-2	Solenoid valve 3/2, , 24 VDC	9611-99-3324		
6b	1	Solenoid valve 3/2 or 5/2, , 24 VDC	9611-99-3327		
7	3	PT screw	9611-99-3457		
8	1	Base, complete, no solenoids (Pos.9,12,13,14 included)		9613-4284-01	9613-4282-01
	1	Base, complete, 3/2 24 VDC, one solenoid (Pos.9,10,11,12,13,14 included)		9613-4284-02	9613-4282-02
	1	Base, complete, 3/2 24 VDC, two solenoids (Pos.9,10,11,12,13,14 included)		9613-4284-08	9613-4282-08
	1	Base, complete, 3/2 24 VDC, three solenoids (Pos.9,10,11,12,13,14 included)		9613-4284-11	9613-4282-11
	1	Base, complete, 5/2 24 VDC, one solenoid (Pos.9,10,11,12,13,14 included)		9613-4284-03	9613-4282-03
9	1	Special X-ring, grey	9613-4564-01		
10	1	Air fitting		9611-99-3405	9611-99-3433
11	1	Blow-off valve	9612-5636-01		
12	1	Thread plug, PG7 ø3-ø6.5 mm	9611-99-3407		
13	1	Cable gland, PG11 ø4-ø10 mm	9611-99-3517		
14	1	Gore vent High airflow	9611-99-4722		
15	1	Adapter complete	9612-5621-01		
16	1	Special X-ring, black	9612-9994-01		
17	1	O-ring	9611-99-3350		
18	2	Allen screw	9611-99-3409		
19	1	Special X-ring	9612-5696-01		
20	1	Indication pin, complete	9612-5623-01		
	1	Indication pin, complete for Unique SSV LS	9613-1581-01		
	1	Indication, pin complete for Unique SSV High Pressure valve size 76.1-101.6mm/DN80-100	9613-1581-01		
	1	Indication pin, complete for SRC-LS: only stop valves size 63.5-101.6mm/DN65-100	9612-6370-01		
23	1	2 m ASI drop cable (2 x 0.5 mm ²) with flat cable connector	9611-99-3518		



Pos	Qty	Denomination	1/4" Air connection
1	1	Shell complete	9613-4279-01
3	1	Screw	9611-99-3458
4	1	Washer	9611-99-3459
5	1	Sensor board, AS-Interface v.2.11 (31 node) (Period Q209-)	9613-4434-02
	1	Sensor board, AS-Interface v. 3.0 (62 node) (Period Q209-)	9613-4434-03
	1	Sensor board, AS-Interface 29.5-31.6 VDC (Period -Q209)	9612-5627-03
6a	1-2	Solenoid valve 3/2, , 24 VDC	9611-99-3324
6b	1	Solenoid valve 3/2 or 5/2, , 24 VDC	9611-99-3327
7	3	PT screw	9611-99-3457
8	1	Base, complete, no solenoids	9613-4282-01
	1	(Pos.9,12,13,14 included)	
	1	Base, complete, 3/2 24 VDC, one solenoid	9613-4282-02
	1	(Pos.9,10,11,12,13,14 included)	
	1	Base, complete, 3/2 24 VDC, two solenoids	9613-4282-08
	1	(Pos.9,10,11,12,13,14 included)	
	1	Base, complete, 3/2 24 VDC, three solenoids	9613-4282-11
	1	(Pos.9,10,11,12,13,14 included)	
	1	Base, complete, 5/2 24 VDC, one solenoid	9613-4282-03
	1	(Pos.9,10,11,12,13,14 included)	
9	1	Special X-ring, grey	9613-4564-01
10	1	Air fitting	9611-99-3433
11	2	Blow-off valve	9612-5636-01
12	1	Thread plug, PG7 ø3-ø6.5 mm	9611-99-3407
13	1	Cable gland, PG11 ø4-ø10 mm	9611-99-3517
14	1	Gore vent High airflow	9611-99-4722
15	1	Adapter complete	9612-6358-02
16	1	Special X-ring, black	9612-9994-01
17	1	O-ring	9611-99-3350
18	4	Screw	9611-99-3763
19	1	Retainer	9611-99-4203
20	1	O-ring	9611-99-3689
21	1	O-ring	9611-99-3690
22	1	Indicator pin	9612-6357-02
23	1	Nut	9611-99-3764
25	1	2 m ASI drop cable (2 x 0.5 mm ²) with flat cable connector	9611-99-3518

TD 900-393/3

How to contact Alfa Laval

Contact details for all countries are continually updated on our website.

Please visit www.alfalaval.com to access the information direct.