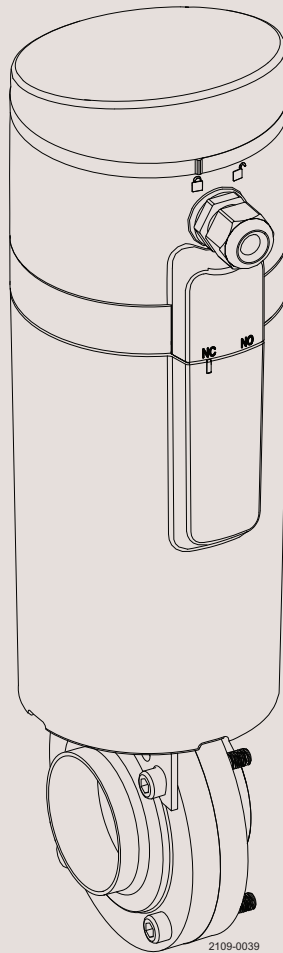




Spare Parts

Unique Control for Butterfly Valves

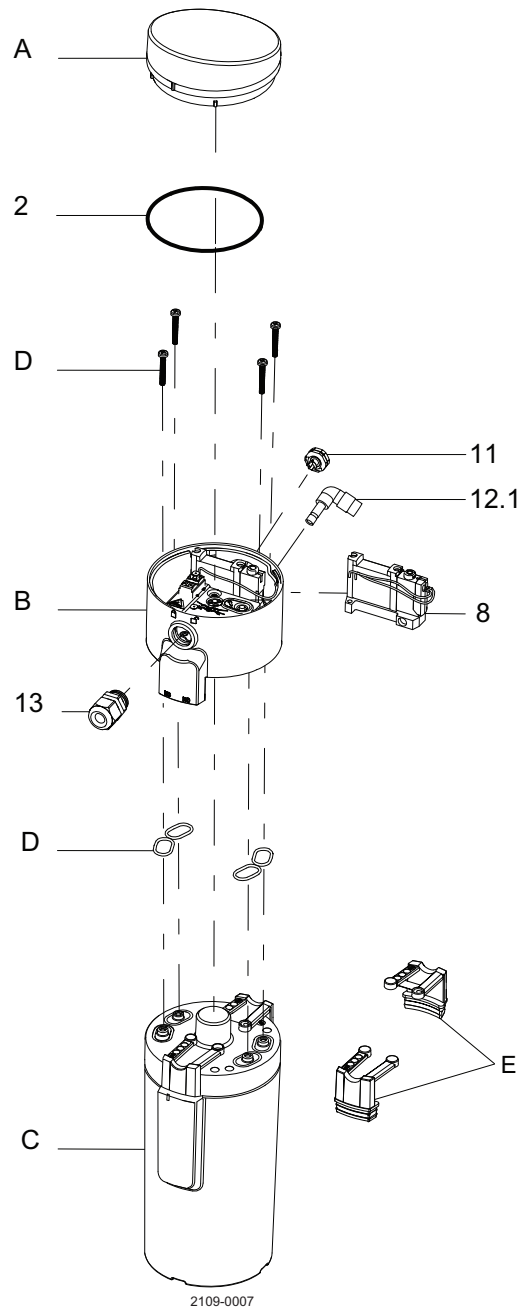


ESE02188-EN2 2012-06

Original manual

The information herein is correct at the time of issue but may be subject to change without prior notice

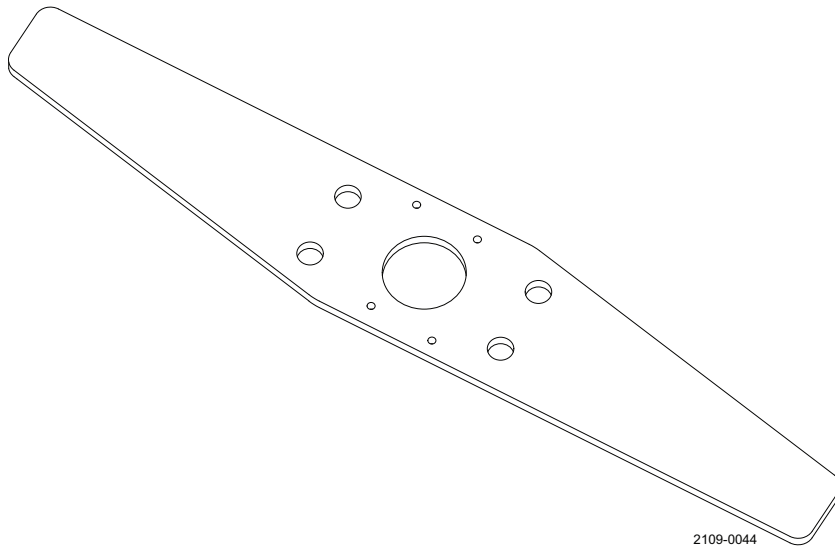
1. Unique Control for Butterfly Valves	4
2. Unique Control Tool	6



Unique Control for Butterfly Valves

Pos	Qty	Denomination	Digital	ASI v.2.11	ASI v.3.0
		Complete actuator, NC	9614-0672-09	9614-0672-01	9614-0672-21
		Complete actuator, NO	9614-0672-10	9614-0672-02	9614-0672-22
A		Top incl. prism and O-rings	9614-0911-01	9614-0911-01	9614-0911-01
2	1	O-ring	9611-99-5306	9611-99-5306	9611-99-5306
B		Base, cpl., with solenoid	9614-0904-02	9614-0904-01	9614-0904-06
		Base, cpl., without solenoid	9614-0904-09	9614-0904-08	9614-0904-10
8	1	Solenoid Valve, cpl.	9614-0803-01	9614-0803-01	9614-0803-01
11	1	Gore Vent	9611-99-4722	9611-99-4722	9611-99-4722
12.1	1	Air fitting , ø6 mm	9611-99-5336	9611-99-5336	9611-99-5336
	1	Air fitting , 1/4"	9611-99-5311	9611-99-5311	9611-99-5311
13	1	Cable gland PG9	9611-99-5218	9611-99-5218	9611-99-5218
C		Cylinder, cpl.	9614-0804-01	9614-0804-01	9614-0804-01
D		Screws and O-rings	9614-1807-01	9614-1807-01	9614-1807-01
E		Rubber plugs with instruction	9614-0912-01	9614-0912-01	9614-0912-01

900612/1



2109-0044

Unique Control Tool

Pos	Qty	Denomination
	1	Tool 9614-1935-01

TD900628

How to contact Alfa Laval

Contact details for all countries are continually updated on our website.

Please visit www.alfalaval.com to access the information directly.

© Alfa Laval Corporate AB

This document and its contents is owned by Alfa Laval Corporate AB and protected by laws governing intellectual property and thereto related rights. It is the responsibility of the user of this document to comply with all applicable intellectual property laws. Without limiting any rights related to this document, no part of this document may be copied, reproduced or transmitted in any form or by any means (electronic, mechanical, photocopying, recording, or otherwise), or for any purpose, without the expressed permission of Alfa Laval Corporate AB. Alfa Laval Corporate AB will enforce its rights related to this document to the fullest extent of the law, including the seeking of criminal prosecution.