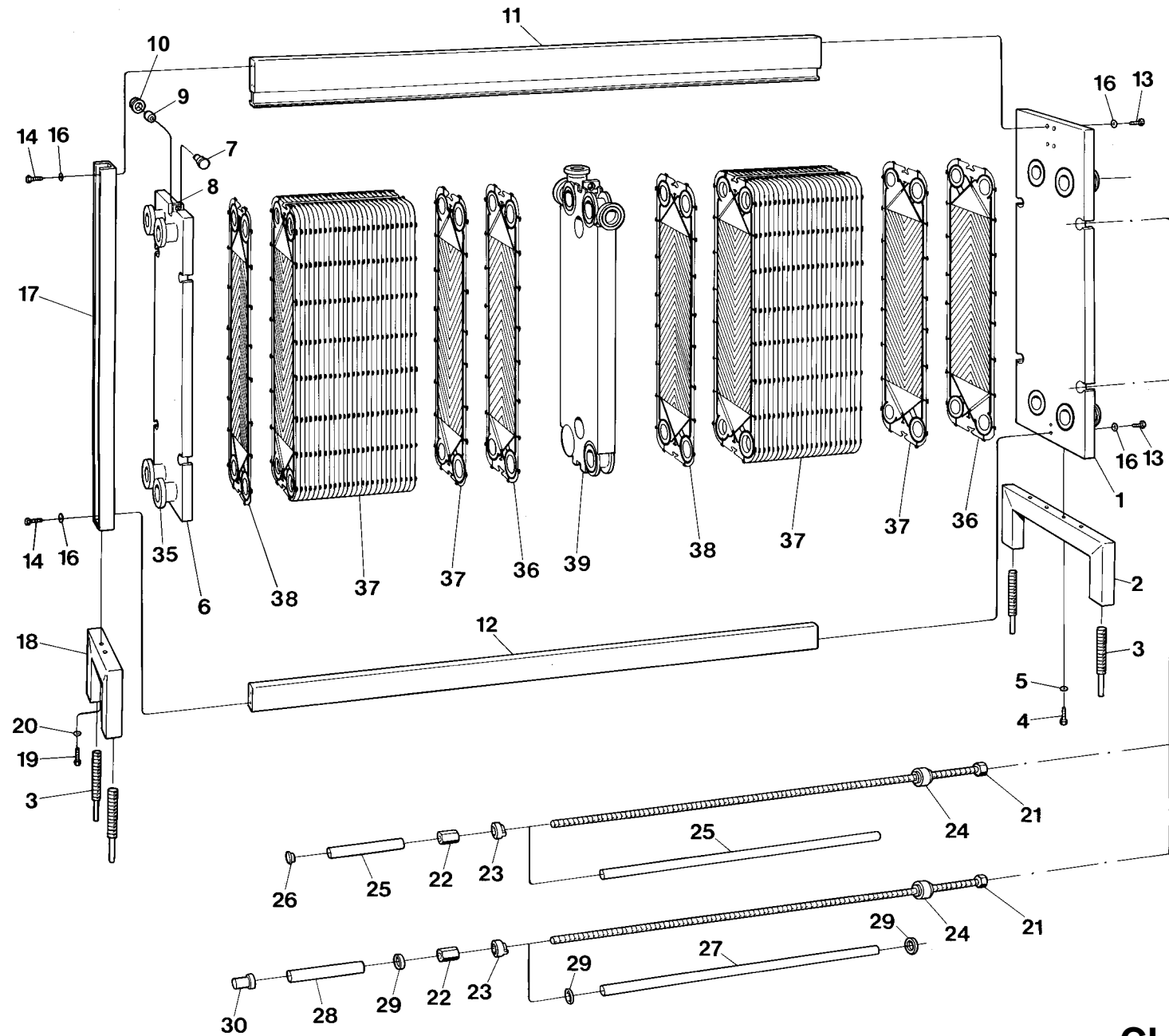


Alfa Laval

PARTS LISTS

***CLIP 10-RM
-RH***




Alfa Laval
CLIP 10-RM, -RH

Pos	Alfa-Laval Part Number	Name	Comments
1	1620564-01	Frame plate	-RM
	1620728-01	Frame plate	-RH
2	1627202-01	Foot	
3	32323-0166-1	Levelling screw	
4	260192-06	Screw	M6S 20x45
5	223101-39	Washer	BRB 21x36
6	1620659-01	Pressure plate	-RM
	1620729-01	Pressure plate	-RH
7	1620780-01	Shaft	
8	260080-04	Stop screw	SK6SS 6x8
9	528402-03	Needle bearing	NKI 20/16 INA
10	1620781-01	Wheel	

Carrying bar 11	Guiding bar 12	Length mm	● Max. no. of plates	
			0.5mm	0.6mm
1623169-01	32323-4001-2	1200	124	122
1623169-02	32323-4001-4	1800	212	209
1623169-03	32323-4001-6	2400	299	295
1623169-04	32323-4001-8	3000	387	381
1623169-05	32323-4002-1	3600	474	468
1623169-06	32323-4002-3	4200	562	554
1623203-01	32323-4017-3	4800	600	600

13	221046-05	Screw	M6S 12x100
14	221046-06	Screw	M6S 12x40
16	223101-35	Washer	BRB 13x24
17	1627207-01	Support column	
18	1627174-01	Foot	
19	2210463-03	Screw	M6S 16x40
20	223101-37	Washer	BRB 17x30

21 Tightening bolt M39 (NW60)	Length mm	● Max. no. of plates		RM: 4 bolts RH: 6 bolts
		0.5mm	0.6mm	
32324-0009-1	1050	102	101	
32324-0009-2	1650	190	187	
32324-0009-3	2250	277	273	
32324-0009-4	2850	365	360	
32324-0009-5	3450	453	446	
32324-0009-6	4050	540	532	
32324-0009-7	4650	600	600	

22	32324-2024-2	Nut	
23	32324-2915-1	Lock washer	
	1624117-01	Wearing washer	-RH
24	1624161-01	Bearing house	
25	1995-101-093	Plastic tube	43 / 41, LDPE, Grey
26	990152-02	Plug	LDPE, B-41.3
27	32324-2841-1	Protecting tube, stainless steel	
28	32239-2058-1	Protecting tube, stainless steel	
	1535-158-030	Protecting tube	-RH
29	32239-2057-1	Guide ring for protecting tube	
30	32265-4065-1	Protective cover	
		Blind connection	See page 4
35		Connection	
36		End plate I	
37		Channel plates	
38		End plate II	
39		Connection plate	See page 5

▲ When Carrying bar length \geq 4800mm:

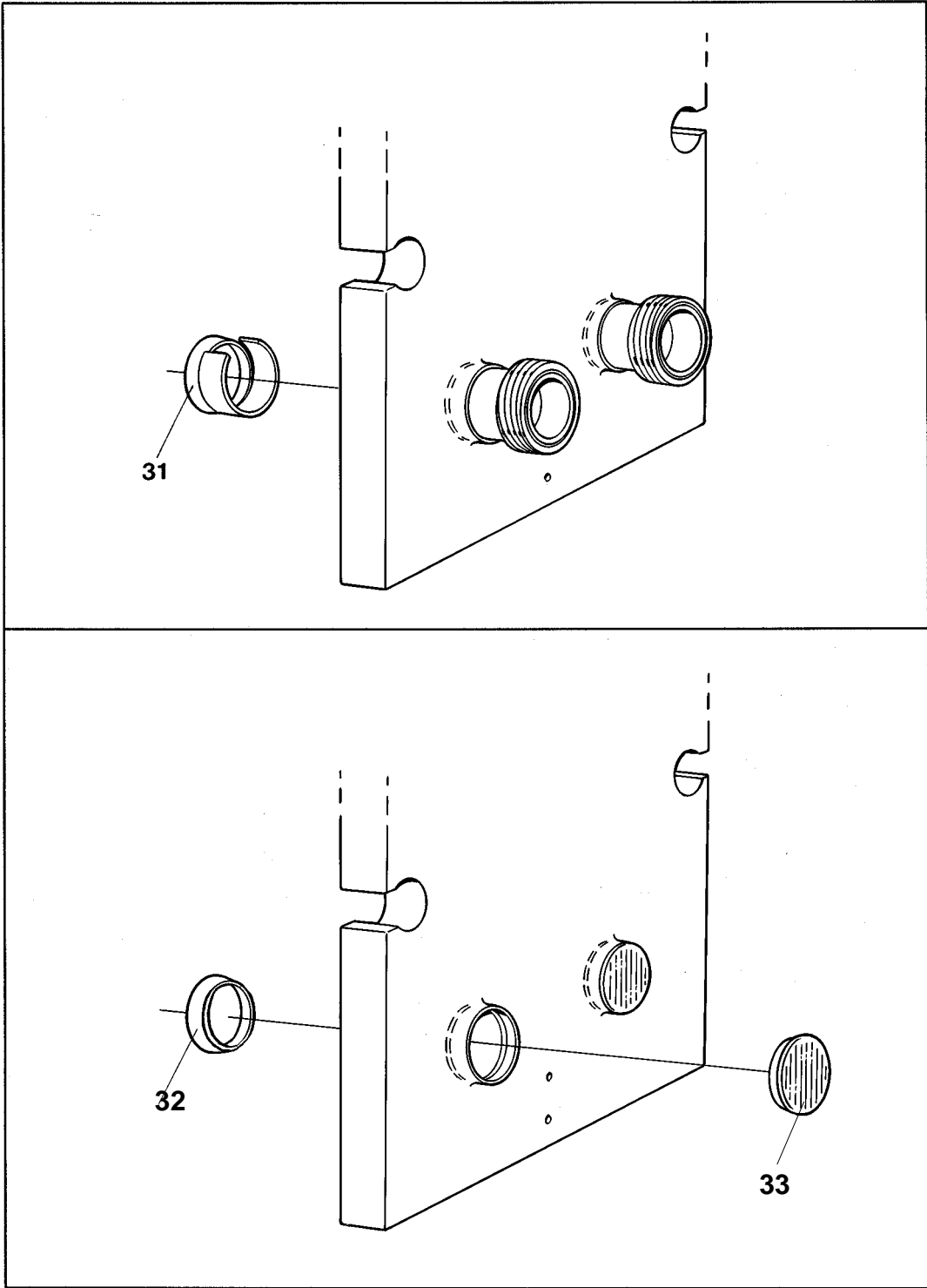
32323-0166-4 Levelling screw
32326-1231-1 Protecting tube

L=250

● When conn. plates: Reduce max. no. of plates with 15 plates / conn. plate.

BLIND CONNECTION

Pos	Alfa-Laval Part Number	Name	Comment
31	1625370-01	Blind washer	
32	1625345-02	Blind washer	
33	990138-01	Seal plug	

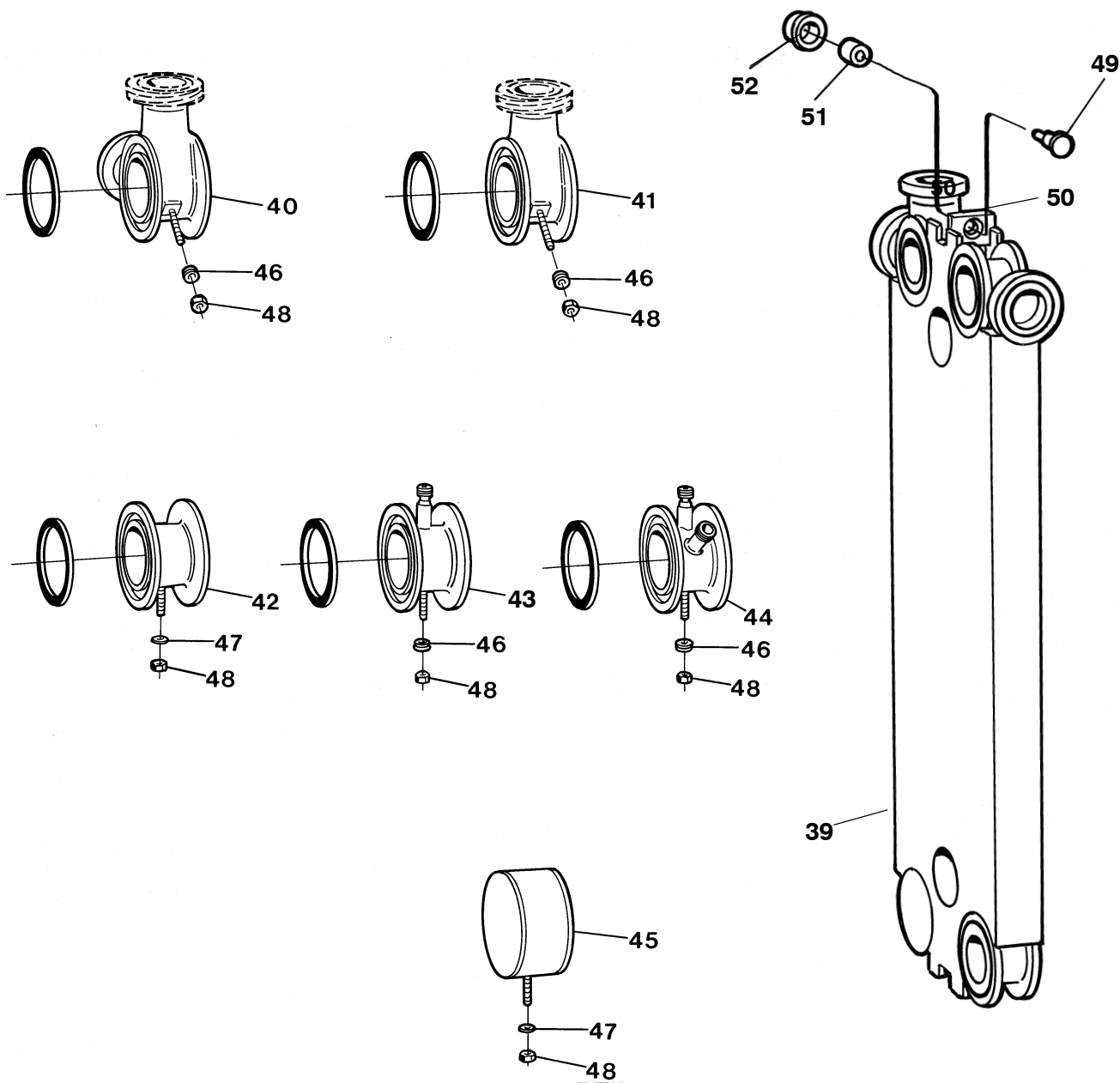


CONNECTION PLATE CLIP 10

Alfa-Laval				
Pos	Part Number	Name	Comment	
39	1620637-01	Connection plate		
40	1625377-01	Double corner, 100mm conn.	3-A Sanitary standard	
	1625400-01	Double corner, 100mm conn.		
	1625377-02	Double corner, 76mm conn.		
	1625400-02	Double corner, 76mm conn.		
41	1625398-01	Single corner, 100mm conn.	Horizontal position A-2, A-4 if bottom towards frame plate, otherwise A-1, A-3 Vertical position A-1, A-3 if bottom towards frame plate, otherwise A-2, A-4	
	1625398-02	Single corner, 100mm conn.	Horizontal position A-1, A-3 if bottom towards frame plate, otherwise A-2, A-4 Vertical position A-2, A-4 if bottom towards frame plate, otherwise A-1, A-3	
	1625399-01	Single corner, 100mm conn.	3-A Sanitary standard Horizontal position A-2, A-4 if bottom towards frame plate, otherwise A-1, A-3 Vertical position A-1, A-3 if bottom towards frame plate, otherwise A-2, A-4	
	1625399-02	Single corner, 100mm conn.	3-A Sanitary standard Horizontal position A-1, A-3 if bottom towards frame plate, otherwise A-2, A-4 Vertical position A-2, A-4 if bottom towards frame plate, otherwise A-1, A-3	
	1625398-03	Single corner, 76mm conn.	Horizontal position A-2, A-4 if bottom towards frame plate, otherwise A-1, A-3 Vertical position A-1, A-3 if bottom towards frame plate, otherwise A-2, A-4	
	1625398-04	Single corner, 76mm conn.	Horizontal position A-1, A-3 if bottom towards frame plate, otherwise A-2, A-4 Vertical position A-2, A-4 if bottom towards frame plate, otherwise A-1, A-3	
	1625399-03	Single corner, 76mm conn.	3-A Sanitary standard Horizontal position A-2, A-4 if bottom towards frame plate, otherwise A-1, A-3 Vertical position A-1, A-3 if bottom towards frame plate, otherwise A-2, A-4	
	1625399-04	Single corner, 76mm conn.	3-A Sanitary standard Horizontal position A-1, A-3 if bottom towards frame plate, otherwise A-2, A-4 Vertical position A-2, A-4 if bottom towards frame plate, otherwise A-1, A-3	
	42	1625378-01	Through passage	3-A Sanitary standard
		1625378-02	Through passage	
1625556-01		Through passage		
1625556-02		Through passage		
43	1625380-01	Through passage	With dive tube	
44	1625379-01	Through passage	With dive tube and nib	
45	1625368-01	Blind corner		
46	1620593-01	Washer		
47	223101-61	Washer	BRB 10.5x22	
48	221803-29	Nut	M6M 10	
49	1620780-01	Shaft		
50	260080-04	Stop screw	SK6SS 6x8	
51	528402-03	Needle bearing	NKI 20/16 INA	
52	1620781-01	Wheel		

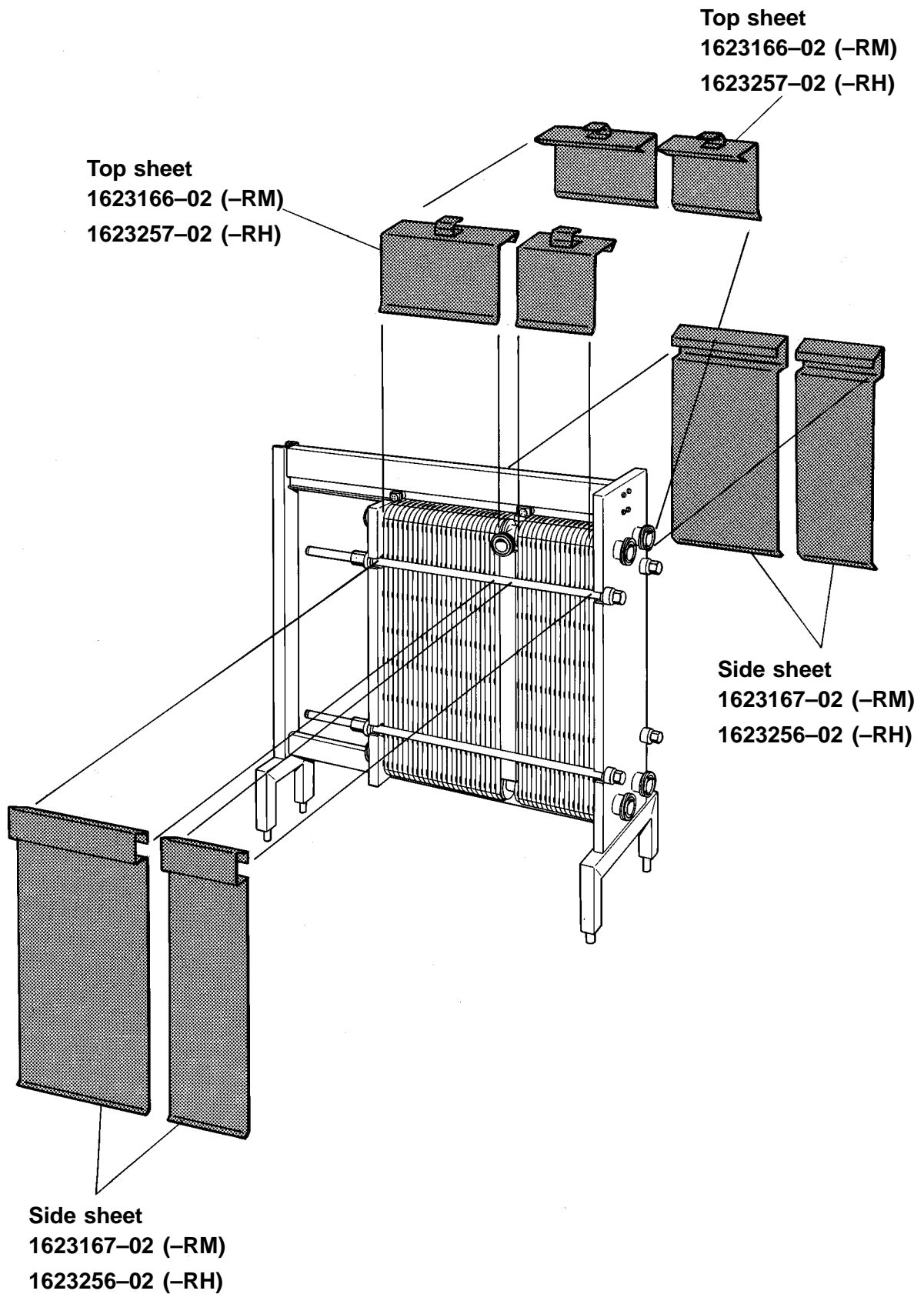
Note!

Nipples not included for single and double corner.



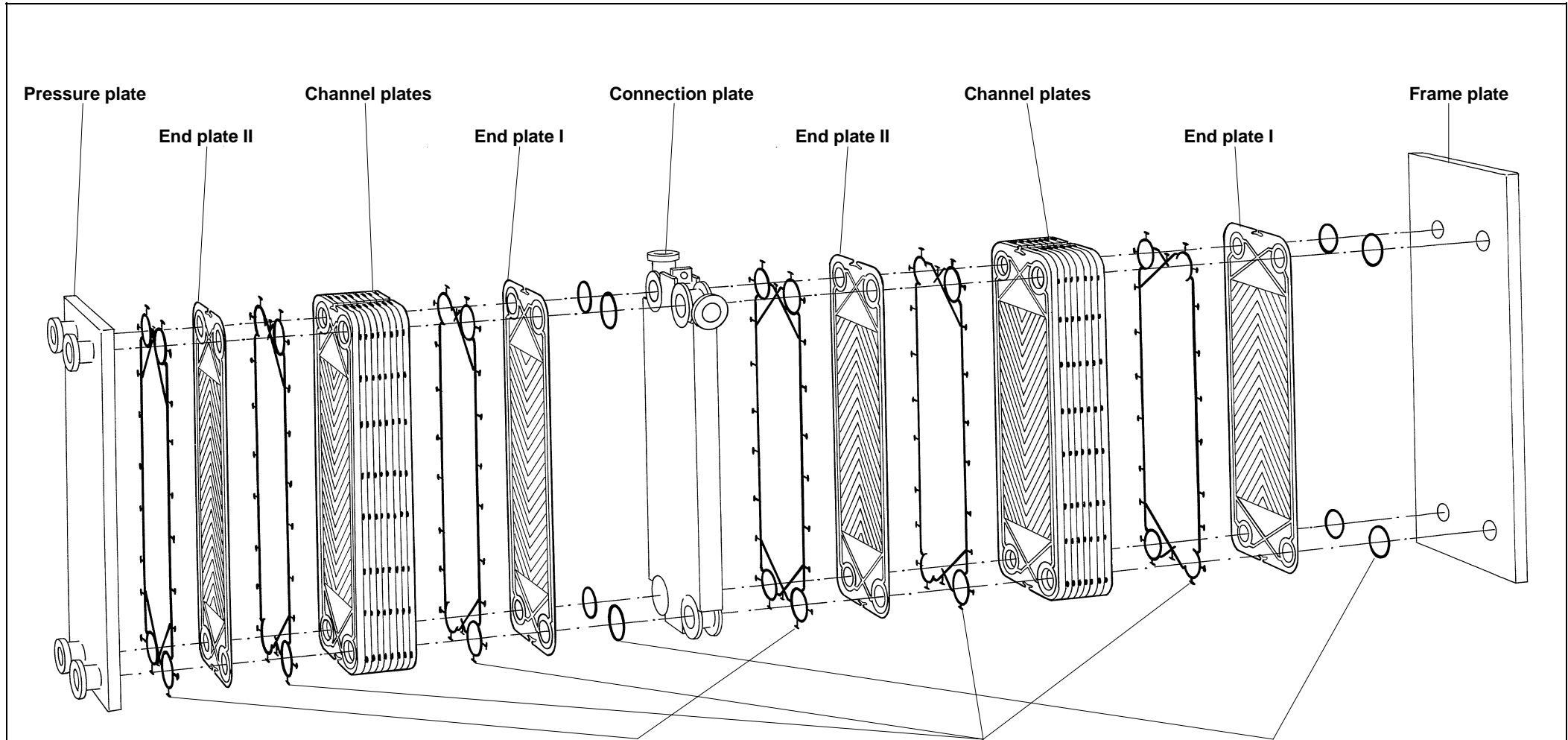
**Alfa Laval
Clip 10**

PROTECTIVE SHEETS **CLIP 10**



NOTE!

The length of the side sheets and top sheets in according to the A-measure (Plate package lengths).



Qualities	Gasket type	End plate gasket II (or 2 pieces of Channel plate gasket)	Channel plate gasket End plate gasket I	Connection gasket	Colour marking
Part numbers					
NBRP (Nitrile)	Clip-On	32330-2309-6	32330-2304-6	32239-0989-6	1 blue
EPDMF (FDA)	Clip-On	32330-2307-8	32330-2302-8	32239-0987-8	2 grey
NBRHTF (FDA)	Clip-On	32330-2307-7	32330-2302-7	1629507-01	3 blue