



## Spare Parts

**LKD Oval Manhole Cover 440x320**

ESE03418-EN1 2016-10

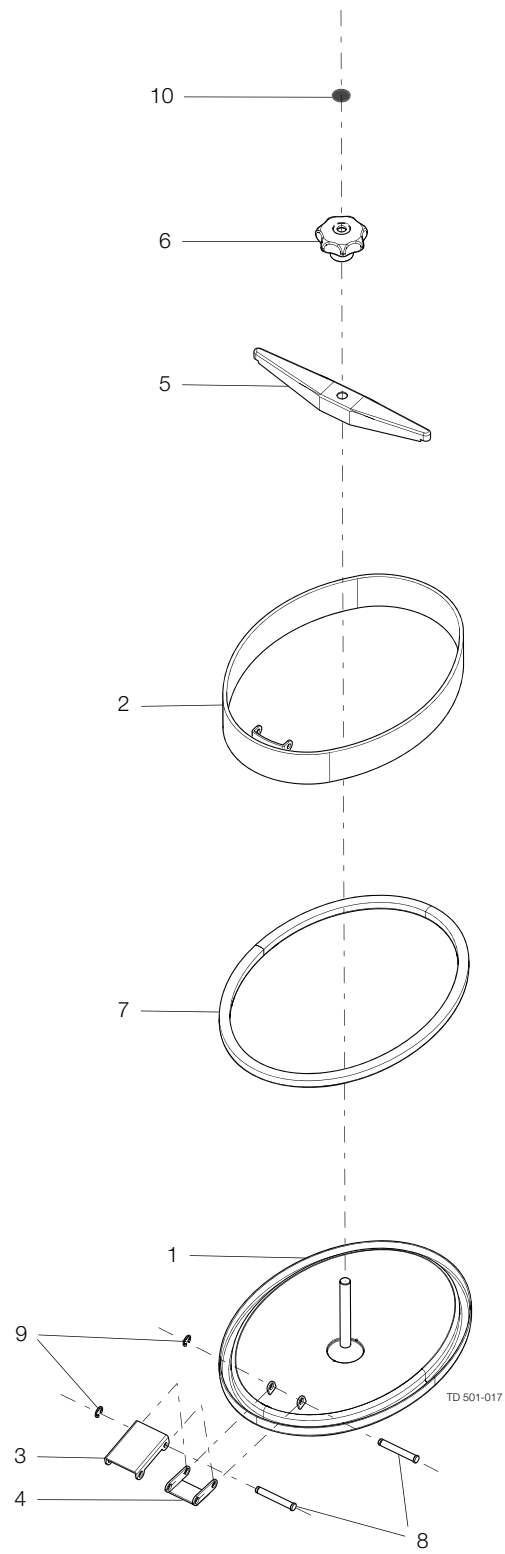
Original manual



---

*The information herein is correct at the time of issue but may be subject to change without prior notice*

**1. LKD Oval Manhole Cover 440x320 ..... 4**



LKD Oval Manhole Cover 440x320

Pos	Qty	Denomination	1.4301 with hinge	1.4404 with hinge	1.4301 without hinge	1.4404 without hinge
1	1	Cover .....				
	1	Cover , 3A .....				
2	1	Frame , 60 mm .....				
	1	Frame , 60 mm 3A .....				
3	1	Big mounting .....	9613456809	9613456809		
4	1	Small mounting .....	9613456810	9613456810		
5	1	Toggle .....	9613456816	9613456816	9613456816	9613456816
6	1	Handle .....	9611700672	9611700672	9611700672	9611700672
7	1	Seal , EPDM .....	9613456812	9613456812	9613456812	9613456812
	1	Seal , NBR .....	9613456813	9613456813	9613456813	9613456813
	1	Seal , FPM .....	9613456814	9613456814	9613456814	9613456814
	1	Seal , Silicone (Q) .....	9613456815	9613456815	9613456815	9613456815
8	2	Pin .....	9613456819	9613456819		
9	2	Retaining ring .....	9613437762	9613437762		
10	1	Capsule .....	9611700644	9611700644	9611700644	9611700644
	1	Complete hinge system (pos. 3, 4, 8 and 9) .....	9613456820	9613456820		

Recommended spare parts: Pos. 7.

**How to contact Alfa Laval**

Contact details for all countries are continually updated on our website.

Please visit [www.alfalaval.com](http://www.alfalaval.com) to access the information directly.

© Alfa Laval Corporate AB

This document and its contents is owned by Alfa Laval Corporate AB and protected by laws governing intellectual property and thereto related rights. It is the responsibility of the user of this document to comply with all applicable intellectual property laws. Without limiting any rights related to this document, no part of this document may be copied, reproduced or transmitted in any form or by any means (electronic, mechanical, photocopying, recording, or otherwise), or for any purpose, without the expressed permission of Alfa Laval Corporate AB. Alfa Laval Corporate AB will enforce its rights related to this document to the fullest extent of the law, including the seeking of criminal prosecution.