



## Spare Parts

**LKD Oval Manhole Cover 532 x 432 (Previously 535 x 435)**

ESE03419-EN4    2017-12

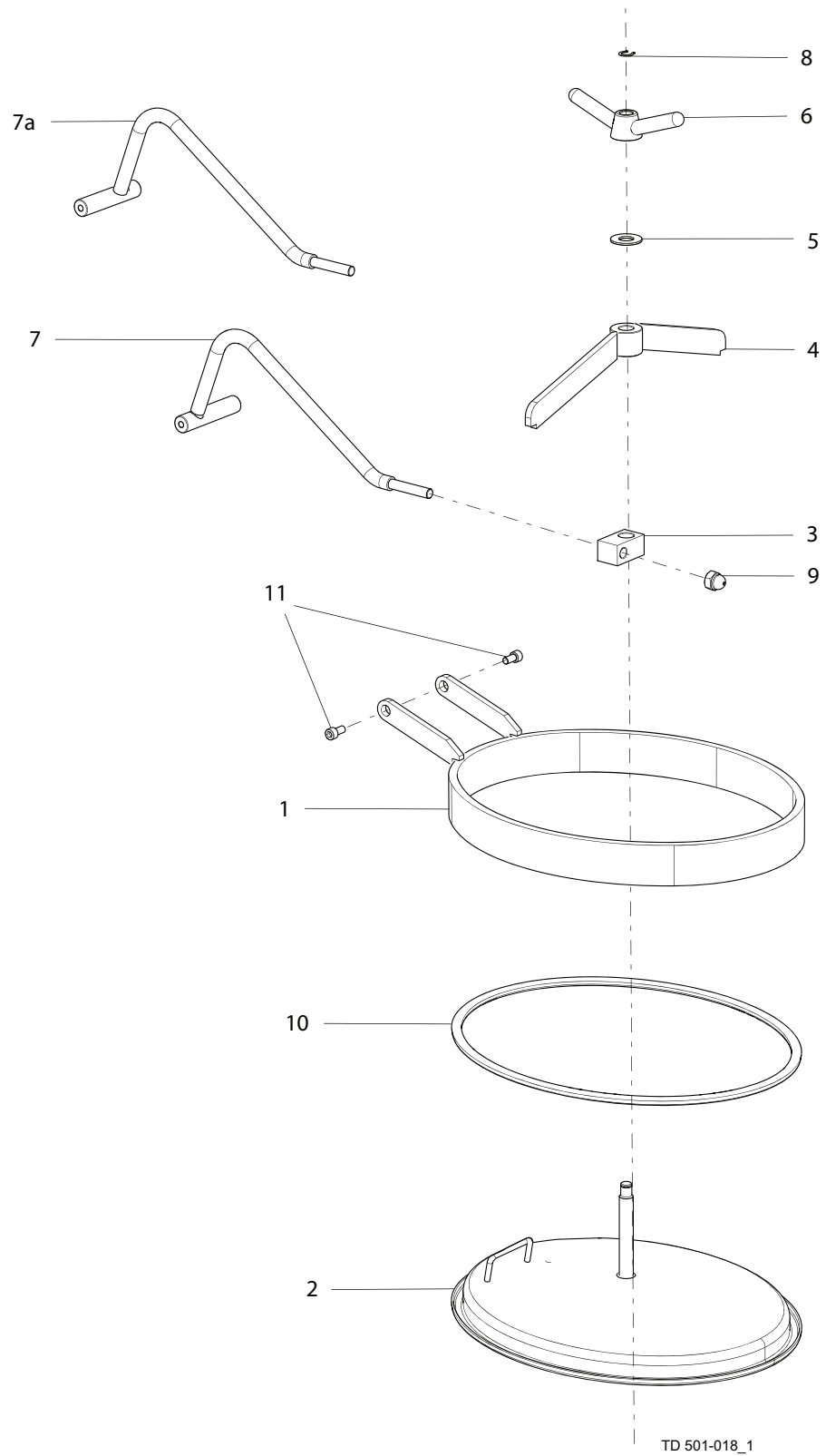
Original manual



---

*The information herein is correct at the time of issue but may be subject to change without prior notice*

**1. LKD Oval Manhole Cover 532 x 432 (Previously 535 x 435) ..... 4**



TD 501-018\_1

LKD Oval Manhole Cover 532 x 432 (Previously 535 x 435)

Pos	Qty	Denomination	1.4301	1.4404
1	1	Frame, 60 mm .....		
	1	Frame, 60 mm 3A .....		
	1	Frame, 100 mm .....		
	1	Frame, 100 mm 3A .....		
2	1	Cover .....		
	1	Cover, 3A .....		
3	1	Hub .....	9613456860	9613456860
4	1	* Toggle, 60 mm Frame .....	9614200115	9614200115
	1	** Toggle, 100 mm Frame .....	9613456842	9613456842
5	1	Trust collar .....	9613456863	9613456863
6	1	Handle .....	9612990783	9612990783
7	1	Suspension arm, left .....	9613456840	9613456840
7a	1	Suspension arm, right .....	9613456841	9613456841
8	1	Retaining Ring .....	9613456862	9613456862
9	1	Nut .....	9613456865	9613456865
10	1	Seal , EPDM .....	9613456836	9613456836
	1	Seal , NBR .....	9613456837	9613456837
	1	Seal , FPM .....	9613456838	9613456838
	1	Seal , Silicone (Q) .....	9613456839	9613456839
11	2	Screw .....	9613456861	9613456861

Recommended spare parts: Pos. 10.

\* For: 60 mm. New Version Toggle  
 100 mm. New Version Toggle (Spindle = 178 mm. high)  
 60 mm. Old Version Toggle -2015

\*\* For: 100 mm. Old Version Toggle (Spindle = 143 mm. high) -2015

(TD900....)

**How to contact Alfa Laval**

Contact details for all countries are continually updated on our website.

Please visit [www.alfalaval.com](http://www.alfalaval.com) to access the information directly.

© Alfa Laval Corporate AB

This document and its contents is owned by Alfa Laval Corporate AB and protected by laws governing intellectual property and thereto related rights. It is the responsibility of the user of this document to comply with all applicable intellectual property laws. Without limiting any rights related to this document, no part of this document may be copied, reproduced or transmitted in any form or by any means (electronic, mechanical, photocopying, recording, or otherwise), or for any purpose, without the expressed permission of Alfa Laval Corporate AB. Alfa Laval Corporate AB will enforce its rights related to this document to the fullest extent of the law, including the seeking of criminal prosecution.