



Spare Parts

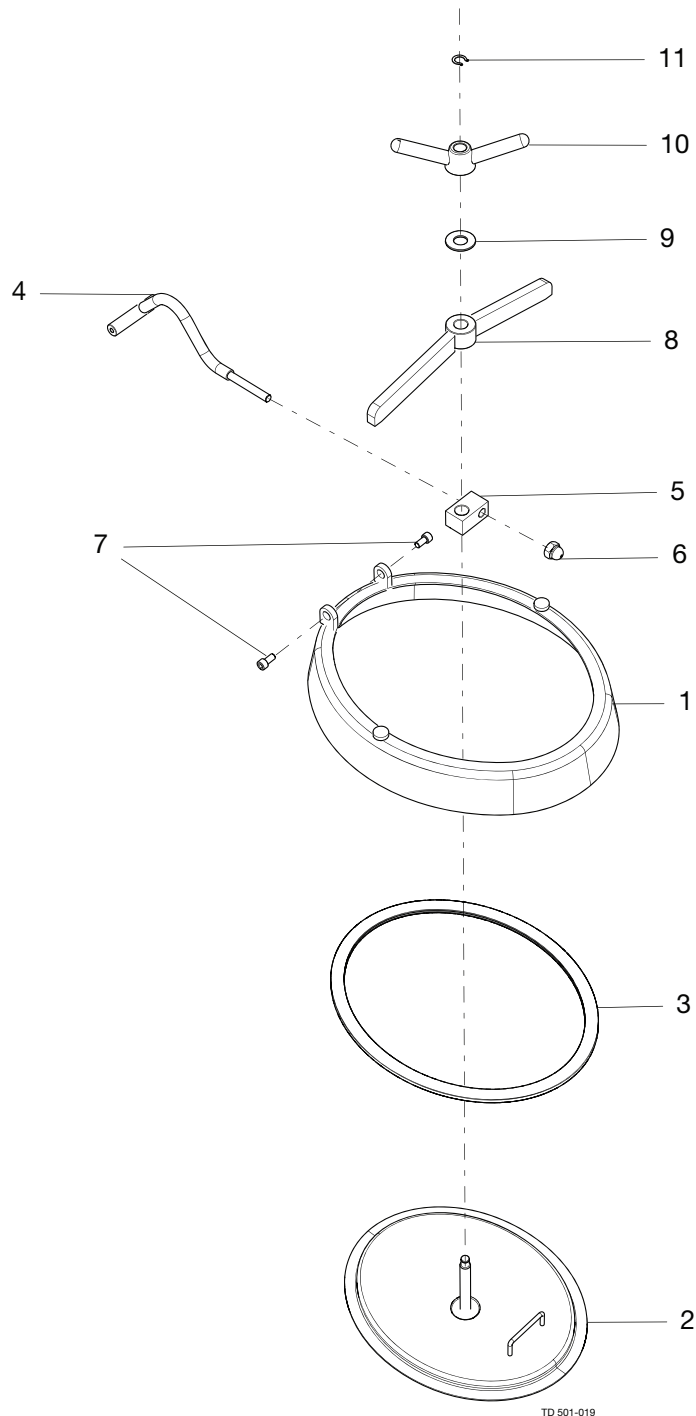
LKD Oval Manhole Cover 542 x 446 (Previously 546 x 447)

ESE03420-EN2 2019-03

Original manual

The information herein is correct at the time of issue but may be subject to change without prior notice

1. LKD Oval Manhole Cover 542 x 446 (Previously 546 x 447) 4



TD 501-019

LKD Oval Manhole Cover 542 x 446 (Previously 546 x 447)

Pos	Qty	Denomination	1.4301	1.4404
1	1	Frame 76 mm		
2	1	Cover		
3	1	Seal, EPDM	9613456854	9613456854
	1	Seal , NBR	9613456855	9613456855
	1	Seal , FPM	9613456856	9613456856
	1	Seal , Q	9613456857	9613456857
4	1	Suspension arm	9613456858	9613456858
5	1	Hub	9613456860	9613456860
6	1	Nut	9613456865	9613456865
7	2	Screw	9613456861	9613456861
8	1	Toggle	9614209406	9614209406
9	1	Thrust plate	9613456863	9613456863
10	1	Top Nut	9612990783	9612990783
11	1	Retaining Ring	9613456862	9613456862

Recommended spare parts: Pos. 3.

How to contact Alfa Laval

Contact details for all countries are continually updated on our website.

Please visit www.alfalaval.com to access the information directly.

© Alfa Laval Corporate AB

This document and its contents is owned by Alfa Laval Corporate AB and protected by laws governing intellectual property and thereto related rights. It is the responsibility of the user of this document to comply with all applicable intellectual property laws. Without limiting any rights related to this document, no part of this document may be copied, reproduced or transmitted in any form or by any means (electronic, mechanical, photocopying, recording, or otherwise), or for any purpose, without the expressed permission of Alfa Laval Corporate AB. Alfa Laval Corporate AB will enforce its rights related to this document to the fullest extent of the law, including the seeking of criminal prosecution.