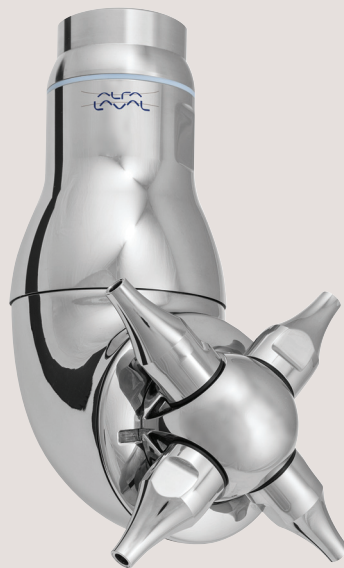




Spare Parts

Alfa Laval TJ40G Rotary Jet Head

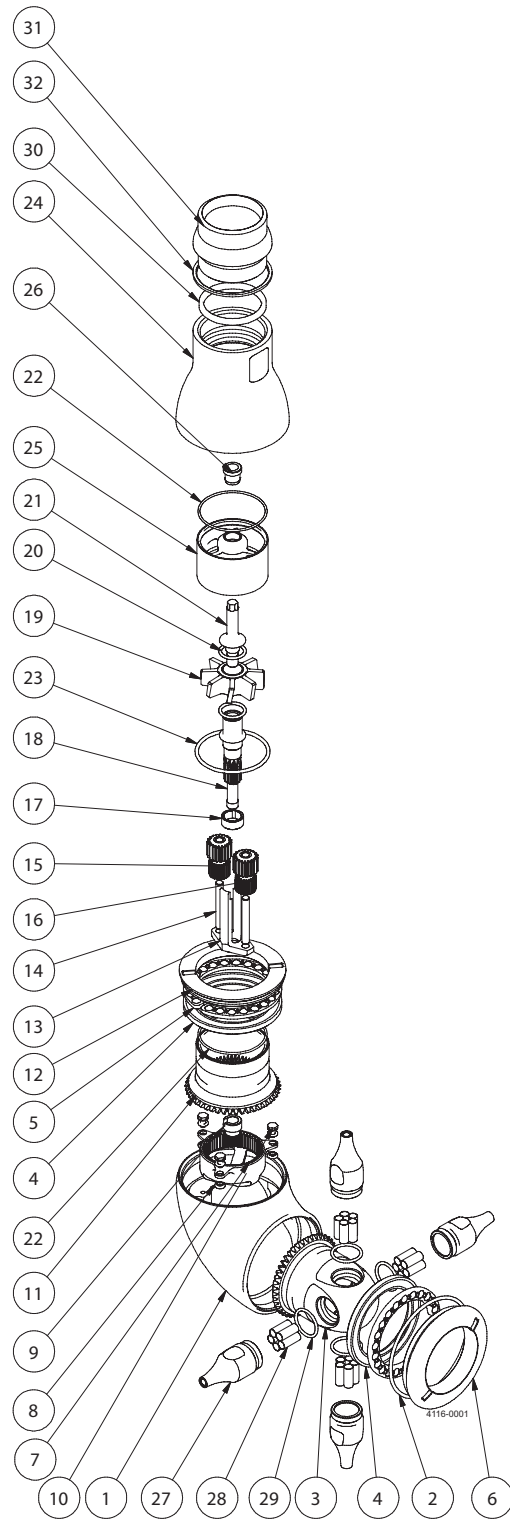


ESE03305-EN4 2018-01

Original manual

The information herein is correct at the time of issue but may be subject to change without prior notice

1. Alfa Laval TJ40G	4
2. Alfa Laval TJ40G-HD	8
3. Tools	11



Pos	Qty	Denomination	Item no.	Material	Remark
1	1	Body, ¹⁾	9690000501	Stainless steel	*Note
2	◆●	1 O-ring	9690003801	Elastomer	Wear part
3	◆●	1 Hub	9690000801	Stainless steel	Spare part
4	●	2 Ball race	9690001101	Stainless steel	Wear part
5	●	2 Ball retainer w. balls	TE20G318	Polymer/SS	Wear part
6	●	1 Hub nut	9690000601	Stainless steel	Wear part
7	◆●	1 Gear ring	9690001601	Stainless steel	Spare part
8	◆●	6 Seal ring	TE20J509	Polymer	Wear part
9	◆●	1 Bearing f. body	9690003301	Polymer	Wear part
10	◆●	3 Screw f. body	TE20J550	Stainless steel	Spare part
11	◆●	1 Stem	9690001401	Stainless steel	Spare part
12	●	1 Stem nut	9690001201	Stainless steel	Wear part
13	◆●	1 Gear frame	9690003501	Stainless steel	Spare part
14	◆●	2 Shaft f. planet gear	TE20J517	Stainless steel	Spare part
15	◆●	1 Gear wheel I	9690003601	Polymer	Wear part
16	◆●	1 Gear wheel II	9690003701	Polymer	Wear part
17	◆●	1 Bushing f. planet gear	9690003401	Polymer	Wear part
18	◆●	1 Impeller shaft	9690002501	Stainless steel	Spare part
19	□	1 Impeller, -1	9690002601	Polymer	Spare part
	□	1 Impeller, -2	9690002701	Polymer	Spare part
	□	1 Impeller, -3	9690002801	Polymer	Spare part
	□	1 Impeller, -4	9690003001	Polymer	Spare part
20	◆●	2 O-ring	TE51T135	Elastomer	Wear part
21	◆●	1 Shaft end	TE20J542	Stainless steel	Spare part
22	◆●	2 O-ring	9690005601	Elastomer	Wear part
23	◆●	1 O-ring	9690005701	Elastomer	Wear part
24	◆●	1 Cone	9690001501	Stainless steel	Spare part
25	□	1 Guide, - 1	9690003901	Stainless steel	Spare part
	□	1 Guide, - 2	9690004101	Stainless steel	Spare part
	□	1 Guide, - 3	9690004301	Stainless steel	Spare part
	□	1 Guide, - 4	9690004401	Stainless steel	Spare part
26	◆●	1 Bearing f. turbine top	TE20G548	Polymer	Wear part
27.1	□	4/2 Nozzle, ²⁾		Stainless steel	Spare part
	□	4/2 Nozzle, Burst, ²⁾		Stainless steel	Spare part
27.2	□	0/2 Blind cap, ³⁾	9690006901	Stainless steel	Spare part
28	◆●	20/1 Nozzle vane		Stainless steel	Spare part
29	◆●	4 O-ring	9690005501	Elastomer	Wear part
30	◆●	1 Gasket f. cone - inside	9690003201	Elastomer	Spare part
32	◆●	1 Gasket f. cone - outside	9690005201	Elastomer	Other prod.

¹⁾: Position 1 is not sold as single spare part component. Only sold as part of a machine maintenance/repair order. For further information please contact Alfa Laval Customer Support.

²⁾ For nozzles as spare parts or refitting with burst nozzles, please choose from scheme underneath.

³⁾ Note pos. 27.2: For blinding holes on 2 nozzle versions.

Please note that some of the polymer parts are in PEEK, which is not resistant to concentrated sulfuric acid.

Scheme, nozzles complete	
Item no.	Denomination
9690007101	Nozzle ø6.0 f. TJ40G complete
9690007102	Nozzle ø6.6 f. TJ40G complete
9690007103	Nozzle ø7.3 f. TJ40G complete
9690007104	Nozzle ø8.1 f. TJ40G complete
9690007105	Nozzle ø9.0 f. TJ40G complete
9690007106	Nozzle ø10.0 f. TJ40G complete
9690007107	Nozzle ø11.2 f. TJ40G complete
9690007115	Nozzle, Burst, ø6.0 f. TJ40G complete
9690007116	Nozzle, Burst, ø6.6 f. TJ40G complete
9690007117	Nozzle, Burst, ø7.3 f. TJ40G complete
9690007118	Nozzle, Burst, ø8.1 f. TJ40G complete
9690007119	Nozzle, Burst, ø9.0 f. TJ40G complete
9690007120	Nozzle, Burst, ø10.0 f. TJ40G complete
9690007121	Nozzle, Burst, ø11.2 f. TJ40G complete

Service kits

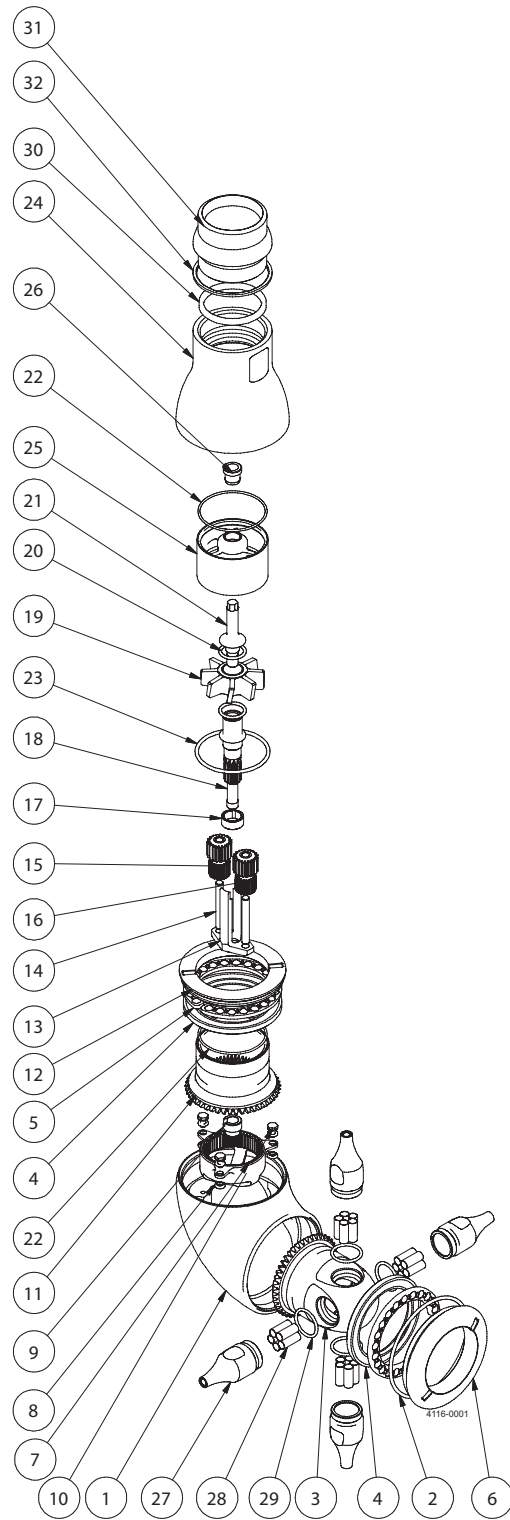
Minor service kit TJ40G	9690003101
Minor service kit TJ40G - Q-Doc	9690003102
Major service kit TJ40G	9690006201
Major service kit TJ40G-HD - Q-Doc	9690006202

Configuration according to delivery note/order.

Parts marked with ◆ are included in the Minor Service Kit for TJ40G: 96900031XX

Parts marked with ● are included in the Major Service Kit for TJ40G: 96900062XX

The machine can be delivered with ATEX certification.



Pos	Qty	Denomination	Item no.	Material	Remark
1	1	Body, 1)	9690000501	Stainless steel	*Note
2	1	↔● O-ring	9690003801	Elastomer	Wear part
3	1	Hub	9690000801	Stainless steel	Spare part
4	2	● Ball race	9690001101	Stainless steel	Wear part
5	2	● Ball retainer w. balls	TE20G318	Polymer/SS	Wear part
6	1	● Hub nut - HD	9690000701	Stainless steel	Wear part
7	1	● Gear ring	9690001601	Stainless steel	Spare part
8	6	Seal ring	TE20J509	Polymer	Wear part
9	1	↔● Bearing f. body	9690003301	Polymer	Wear part
10	3	Screw f. body	TE20J550	Stainless steel	Spare part
11	1	Stem	9690001401	Stainless steel	Spare part
12	1	● Stem nut - HD	9690001301	Stainless steel	Wear part
13	1	Gear frame	9690003501	Stainless steel	Spare part
14	2	Shaft f. planet gear	TE20J517	Stainless steel	Spare part
15	1	↔● Gear wheel I	9690003601	Polymer	Wear part
16	1	↔● Gear wheel II	9690003701	Polymer	Wear part
17	1	↔● Bushing f. planet gear	9690003401	Polymer	Wear part
18	1	Impeller shaft	9690002501	Stainless steel	Spare part
19	1	□ Impeller, - 1	9690002601	Polymer	Spare part
	1	□ Impeller, - 2	9690002701	Polymer	Spare part
	1	□ Impeller, - 3	9690002801	Polymer	Spare part
	1	□ Impeller, - 4	9690003001	Polymer	Spare part
20	2	O-ring	TE51T135	Elastomer	Wear part
21	1	Shaft end	TE20J542	Stainless steel	Spare part
22	2	↔● O-ring	9690005601	Elastomer	Wear part
23	1	↔● O-ring	9690005701	Elastomer	Wear part
24	1	Cone	9690001501	Stainless steel	Spare part
25	1	□ Guide, - 1	9690003901	Stainless steel	Spare part
	1	□ Guide, - 2	9690004101	Stainless steel	Spare part
	1	□ Guide, - 3	9690004301	Stainless steel	Spare part
	1	□ Guide, - 4	9690004401	Stainless steel	Spare part
26	1	↔● Bearing f. turbine top	TE20G548	Polymer	Wear part
27.1	4/2	□ Nozzle, 2)		Stainless steel	Spare part
	4/2	□ Nozzle, Burst, 2)		Stainless steel	Spare part
27.2	0/2	□ Blind cap, 3)	9690006901	Stainless steel	Spare part
28	20/1	Nozzle vane		Stainless steel	Spare part
29	4	↔● O-ring	9690005501	Elastomer	Wear part
30	1	Gasket f. cone - inside	9690003201	Elastomer	Spare part
32	1	Gasket f. cone - outside	9690005201	Elastomer	Other prod.

1): Position 1 is not sold as single spare part component. Only sold as part of a machine maintenance/repair order. For further information please contact Alfa Laval Customer Support.

2): For nozzles as spare parts or refitting with burst nozzles, please choose from scheme underneath.

3) pos. 27.2: For blinding holes on 2 nozzle versions.

Scheme, nozzles complete	
Item no.	Denomination
9690007101	Nozzle ø6.0 f. TJ40G complete
9690007102	Nozzle ø6.6 f. TJ40G complete
9690007103	Nozzle ø7.3 f. TJ40G complete
9690007104	Nozzle ø8.1 f. TJ40G complete
9690007105	Nozzle ø9.0 f. TJ40G complete
9690007106	Nozzle ø10.0 f. TJ40G complete
9690007107	Nozzle ø11.2 f. TJ40G complete
9690007115	Nozzle, Burst, ø6.0 f. TJ40G complete
9690007116	Nozzle, Burst, ø6.6 f. TJ40G complete
9690007117	Nozzle, Burst, ø7.3 f. TJ40G complete
9690007118	Nozzle, Burst, ø8.1 f. TJ40G complete
9690007119	Nozzle, Burst, ø9.0 f. TJ40G complete
9690007120	Nozzle, Burst, ø10.0 f. TJ40G complete
9690007121	Nozzle, Burst, ø11.2 f. TJ40G complete

Service kits

Minor service kit TJ40G-HD	9690003101
Minor service kit TJ40G-HD - Q-Doc	9690003102
Major service kit TJ40G-HD	9690006501
Major service kit TJ40G-HD - Q-Doc	9690006502

Configuration according to delivery note/order.

Parts marked with ↔ are included in the Minor Service Kit for TJ40G-HD: 96900031XX

Parts marked with ● are included in the Major Service Kit for TJ40G-HD: 96900065XX

The machine can be delivered with ATEX certification.

Pos	Qty	Denomination	Item no.
-----	-----	--------------	----------

Alfa Laval TJ40G Toolkit TE81B149

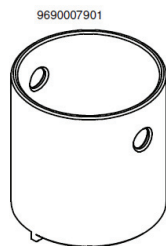
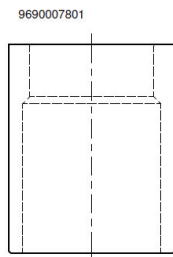
Consisting of:

1	Fixture f. Impeller	TE20J591
1	5 mm calipers	TE369
1	Ring fork key NV24	TE81B140
1	NV8 socket long	TE81B157
1	Torque wrench 1/4" 5 - 25 Nm	TE81B156
1	Drift punch ø8	TE81B148
1	Ring fork key NV65	TE81B147

Pos	Qty	Denomination	Item no.
-----	-----	--------------	----------

Other tools f. TJ40G

	Ball race tool f. TJ40G	9690007801
	Nut tool	9690007901
	Socket f. TJ40G nozzles	9690008001



How to contact Alfa Laval

Contact details for all countries are continually updated on our website.

Please visit www.alfalaval.com to access the information directly.

© Alfa Laval Corporate AB

This document and its contents is owned by Alfa Laval Corporate AB and protected by laws governing intellectual property and thereto related rights. It is the responsibility of the user of this document to comply with all applicable intellectual property laws. Without limiting any rights related to this document, no part of this document may be copied, reproduced or transmitted in any form or by any means (electronic, mechanical, photocopying, recording, or otherwise), or for any purpose, without the expressed permission of Alfa Laval Corporate AB. Alfa Laval Corporate AB will enforce its rights related to this document to the fullest extent of the law, including the seeking of criminal prosecution.