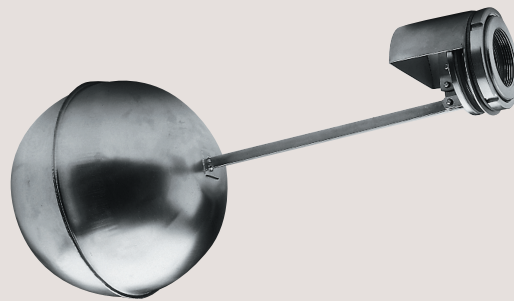




## Spare Parts

### LKSV Float Valve



ESE00743-EN3 2018-02

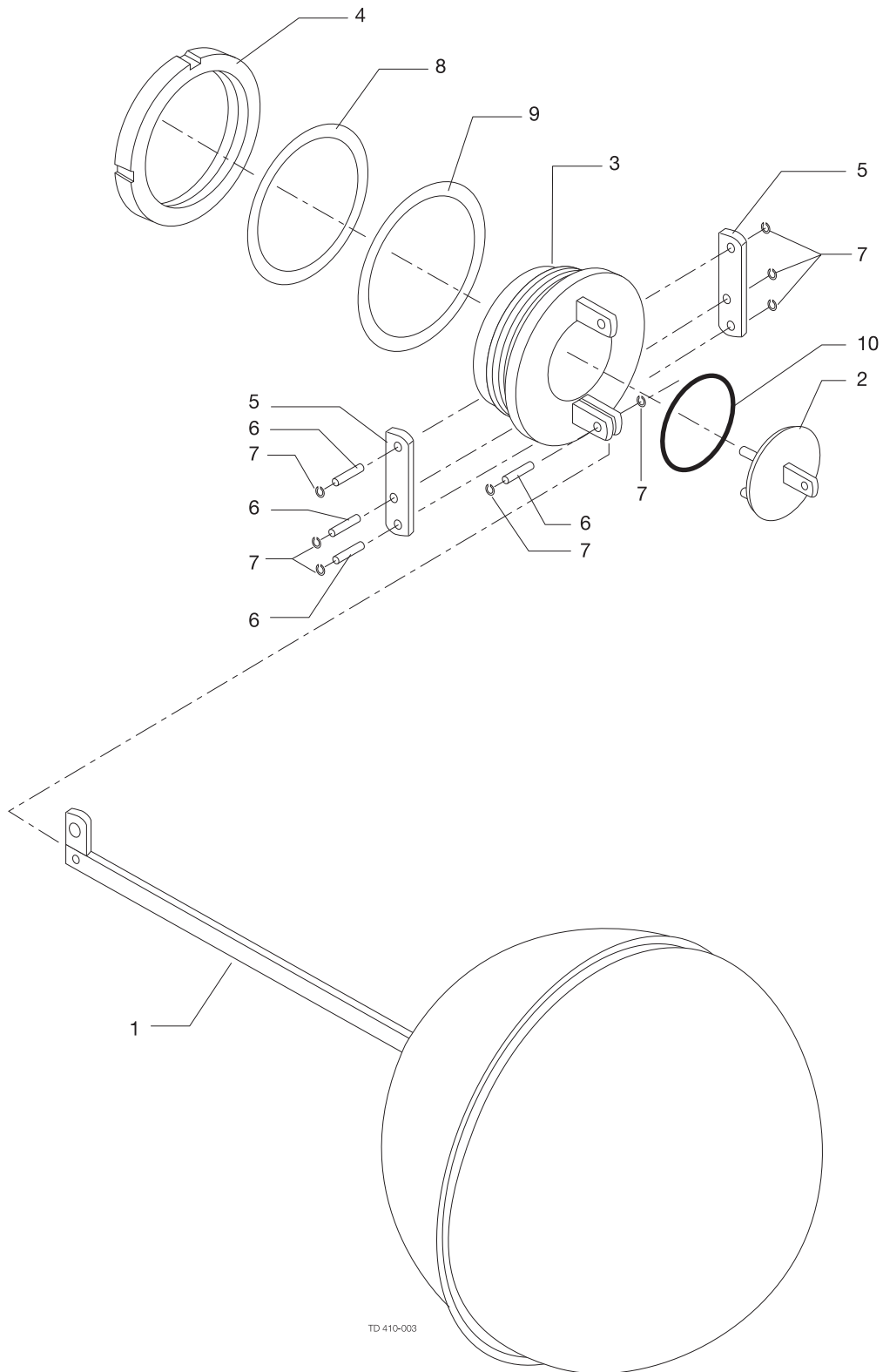
Original manual



---

*The information herein is correct at the time of issue but may be subject to change without prior notice*

**1. LKSV Float valve ..... 4**



# LKSV Float valve

AISI 304

Pos	Qty	Denomination	9611250045	9611250046	9611250047	9611250048		
			25mm	38mm	51mm	63.5mm	76mm	88.8mm
1	1	Float .....						
2	1	Valve cone .....						
3	1	Valve house .....						
4	1	Nut .....						
5	2	Connecting link .....						
6	4	Guide pin .....						
7	<input type="checkbox"/>	8 Lock ring .....						
8	<input type="checkbox"/>	1 Seal, NBR .....						
9	<input type="checkbox"/>	1 Seal, Fibre .....						
10	<input type="checkbox"/>	1 O-ring, NBR .....						
			<b>25 mm</b>	<b>38 mm</b>	<b>51 mm</b>	<b>63.5 mm</b>	<b>76.1 mm</b>	<b>88.8 mm</b>
<input type="checkbox"/>		<b>Service kit .....</b>	<b>9611924023</b>	<b>9611924023</b>	<b>9611924024</b>	<b>9611924024</b>	<b>9611924025</b>	<b>9611924025</b>

Parts marked with  are included in the service kit.

Recommended spare parts: Service kit.

900423

**How to contact Alfa Laval**

Contact details for all countries are continually updated on our website.

Please visit [www.alfalaval.com](http://www.alfalaval.com) to access the information directly.

© Alfa Laval Corporate AB

This document and its contents is owned by Alfa Laval Corporate AB and protected by laws governing intellectual property and thereto related rights. It is the responsibility of the user of this document to comply with all applicable intellectual property laws. Without limiting any rights related to this document, no part of this document may be copied, reproduced or transmitted in any form or by any means (electronic, mechanical, photocopying, recording, or otherwise), or for any purpose, without the expressed permission of Alfa Laval Corporate AB. Alfa Laval Corporate AB will enforce its rights related to this document to the fullest extent of the law, including the seeking of criminal prosecution.