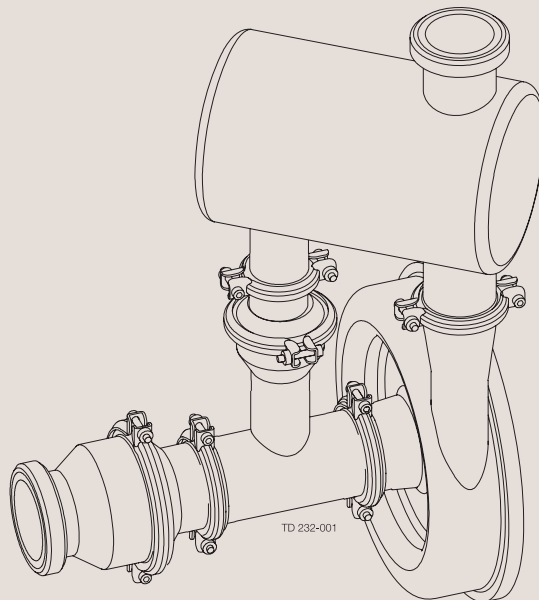




## Spare Parts

### LKHSP Self-Priming Centrifugal Pump



**NOTE!**

This is an appendix to Spare Parts for LKH Centrifugal pump. The appendix must be used in connection with Spare Parts for LKH Centrifugal pump to ensure correct installation, operation and maintenance of the self-priming unit. Non-specified information is identical with the data for the standard LKH pump.

ESE00717-EN3      2012-08

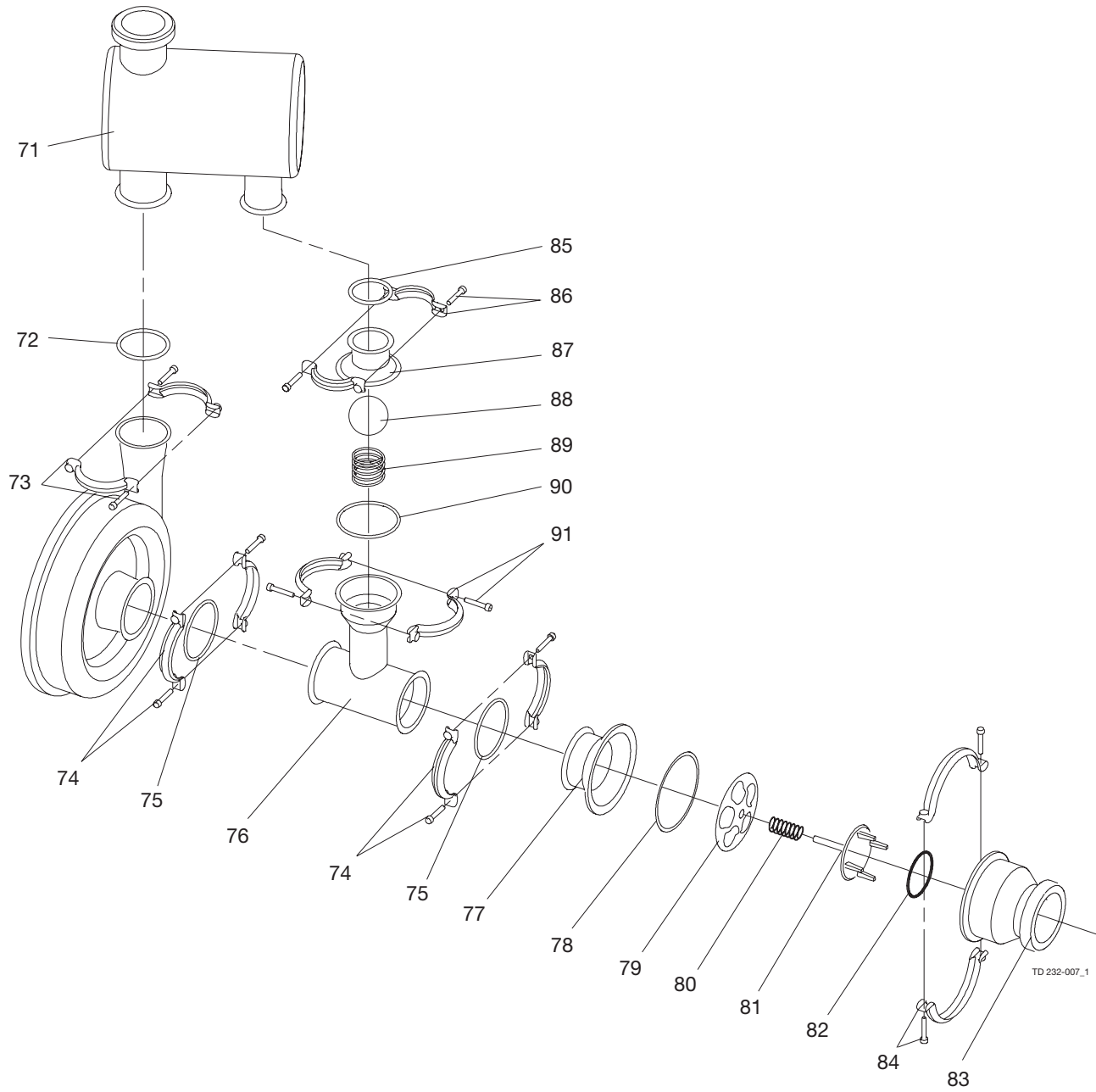
Original manual



---

*The information herein is correct at the time of issue but may be subject to change without prior notice*

**1. LKHSP Self-Priming Centrifugal Pump ..... 4**



# LKHSP Self-Priming Centrifugal Pump

Pos	Qty	Denomination	LKHSP-10	LKHSP-20	LKHSP-25	LKHSP-35	LKHSP-40
71	1	Tank complete, SMS .....					
	1	Tank complete, IDF .....					
	1	Tank complete, BS .....					
	1	Tank complete, DIN .....					
	1	Tank complete, ISO-clamp .....					
	1	Tank complete, DS .....					
72	□	1 Seal ring, ISO-clamp, EPDM (standard) .....	9611-99-1360	9611-99-1360	9611-99-1361	9611-99-1360	9611-99-1361
		1 Seal ring, ISO-clamp, NBR .....	9611-99-0767	9611-99-0767	9611-99-0768	9611-99-0767	9611-99-0768
		1 Seal ring, ISO-clamp, FPM .....	9611-99-1892	9611-99-1892	9611-99-1893	9611-99-1892	9611-99-1893
73	1	Clamp ring complete .....	9611-31-105-2	9611-31-105-2	9611-31-105-3	9611-31-105-3	9611-31-105-3
74	2	Clamp ring complete .....	9611-31-105-3	9611-31-105-3	9611-31-105-4	9611-31-105-3	9611-31-105-4
75	□	2 Seal ring, ISO-clamp, EPDM (standard) .....	9611-99-1361	9611-99-1361	9611-99-1362	9611-99-1361	9611-99-1362
		2 Seal ring, ISO-clamp, NBR .....	9611-99-0768	9611-99-0768	9611-99-0769	9611-99-0768	9611-99-0769
		2 Seal ring, ISO-clamp, FPM .....	9611-99-1893	9611-99-1893	9611-99-1894	9611-99-1893	9611-99-1894
76	1	Tee, ISO-clamp .....					
77	1	Liner, ISO-clamp .....					
78	□	1 Seal ring, EPDM (standard) .....	9611-25-315-3	9611-25-315-3	9611-25-315-4	9611-25-315-3	9611-25-315-4
		1 Seal ring, NBR .....	9611-25-381-3	9611-25-381-3	9611-25-381-4	9611-25-381-3	9611-25-381-4
		1 Seal ring, FPM .....	9611-25-382-3	9611-25-382-3	9611-25-382-4	9611-25-382-3	9611-25-382-4
79	1	Guide plate .....	9612-2208-04	9612-2208-04	9612-2208-05	9612-2208-04	9612-2208-05
80	1	Spring .....	9611-99-1680	9611-99-1680	9611-99-1681	9611-99-1680	9611-99-1681
81	1	Valve cone .....	9612-2207-04	9612-2207-04	9612-2207-05	9612-2207-04	9612-2207-05
82	□	1 O-ring, EPDM (standard) .....	9611-99-0065	9611-99-0065	9611-99-0066	9611-99-0065	9611-99-0066
		1 O-ring, NBR .....	9611-99-1413	9611-99-1413	9611-99-1414	9611-99-1413	9611-99-1414
		1 O-ring, FPM .....	9611-99-1420	9611-99-1420	9611-99-1421	9611-99-1420	9611-99-1421
83	1	Valve body, SMS .....					
	1	Valve body, IDF .....					
	1	Valve body, BS .....					
	1	Valve body, DIN .....					
	1	Valve body, ISO-clamp .....					
	1	Valve body, DS .....					
84	1	Clamp ring complete .....	9611-31-105-5	9611-31-105-5	9611-31-105-6	9611-31-105-5	9611-31-105-6
85	□	1 Seal ring, ISO-clamp, EPDM (standard) .....	9611-99-1360	9611-99-1360	9611-99-1360	9611-99-1360	9611-99-1360
		1 Seal ring, ISO-clamp, NBR .....	9611-99-0767	9611-99-0767	9611-99-0767	9611-99-0767	9611-99-0767
		1 Seal ring, ISO-clamp, FPM .....	9611-99-1892	9611-99-1892	9611-99-1892	9611-99-1892	9611-99-1892
86	1	Clamp complete .....	9611-31-105-2	9611-31-105-2	9611-31-105-2	9611-31-105-2	9611-31-105-2
87	1	Welding liner, ISO-clamp .....					
88	1	Ball, PP .....	9612-5413-01	9612-5413-01	9612-5413-01	9612-5413-01	9612-5413-01
89	1	Spring .....	9612-5354-01	9612-5354-01	9612-5354-01	9612-5354-01	9612-5354-01
90	□	1 Seal ring, EPDM (standard) .....	9611-99-1362	9611-99-1362	9611-99-1362	9611-99-1362	9611-99-1362
		1 Seal ring, NBR .....	9611-99-0769	9611-99-0769	9611-99-0769	9611-99-0769	9611-99-0769
		1 Seal ring, FPM .....	9611-99-1894	9611-99-1894	9611-99-1894	9611-99-1894	9611-99-1894
91	2	Clamp ring complete .....	9611-31-105-4	9611-31-105-4	9611-31-105-4	9611-31-105-4	9611-31-105-4

			<b>LKHSP- 10, 20, 35</b>	<b>LKHSP- 25, 40</b>		
		Service kit, EPDM .....	□ 9611-92-2248	□ 9611-92-2251		
		Service kit, NBR .....	□ 9611-92-2249	□ 9611-92-2252		
		Service kit, FPM .....	□ 9611-92-2250	□ 9611-92-2253		

Parts marked with □ are included in the service kits.

Recommended Spare Parts: Service kits.

**How to contact Alfa Laval**

Contact details for all countries are continually updated on our website.

Please visit [www.alfalaval.com](http://www.alfalaval.com) to access the information directly.

© Alfa Laval Corporate AB

This document and its contents is owned by Alfa Laval Corporate AB and protected by laws governing intellectual property and thereto related rights. It is the responsibility of the user of this document to comply with all applicable intellectual property laws. Without limiting any rights related to this document, no part of this document may be copied, reproduced or transmitted in any form or by any means (electronic, mechanical, photocopying, recording, or otherwise), or for any purpose, without the expressed permission of Alfa Laval Corporate AB. Alfa Laval Corporate AB will enforce its rights related to this document to the fullest extent of the law, including the seeking of criminal prosecution.