



# The easy choice when indication is all you need

## Alfa Laval IndiTop

### Concept

IndiTop is a uniform indication unit that consists of a proven no-touch, set-and-forget sensor system with light-emitting diodes (LEDs) and valve control sensor board for connection to any PLC (Programming Logic Controller) system with digital interface.

IndiTop offers a solution for Alfa Laval butterfly and single-seat valves and is designed for use in the dairy, food and beverage, and biopharm industries; IndiTop provides real-time information about valve operating status 24/7 while helping to improve production performance and secure traceability.

### Working principle

IndiTop is an automated indication unit which does not use any solenoid valve, it transmit status and condition of the valve position back to the PLC system using one of two electrical feedback signals. IndiTop fits onto all Alfa Laval sanitary actuators equipped with mushrooms. Installation is straightforward; no special expertise, adapters or tools are required. To initiate manual setup, simply press the push-button.



### TECHNICAL DATA

#### Communication

Interface . . . . . Digital PNP/NPN  
Supply voltage . . . . . 8-30 VDC/VAC

#### Sensor board

Max current consumption . . . . . 45mA  
Feedback signal #1 . . . . . De-energized valve  
Feedback signal #2 . . . . . Energized valve  
Valve tolerance band options . . . . . 1  
Default tolerance band . . . . .  $\pm 5$  mm  
Sensor accuracy . . . . .  $\pm 1$  mm  
Stroke length . . . . . 0.1 - 80 mm

### PHYSICAL DATA

#### Materials

Steel parts . . . . . Stainless steel and Brass  
Plastic parts . . . . . Black Nylon PA 6, SEBS and POM

#### Environment

Working temperature . . . . . -20 °C to +85 °C  
Protection class . . . . . IP66 and IP67

#### Cable connection

5 m option . . . . . 6 wire,  $\varnothing 5$  mm (AWG26)  
10 m option . . . . . 6 wire,  $\varnothing 5$  mm (AWG26)  
0,5 m with plug option . . . . . M12 plug, incl. M12 socket

#### Note!

For further information: See also ESE00353



The ThinkTop has Patented Sensor System, Registered Design and Registered Trademark owned by Alfa Laval

### Options

- Cable configuration

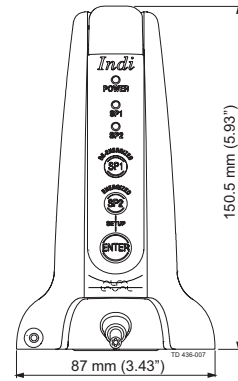
### Accessories

- Threaded plate for indication pin on SRC, SMP-BC and i-SSV valves
- Adaptor for Unique SSSV valves

### Compatible actuators

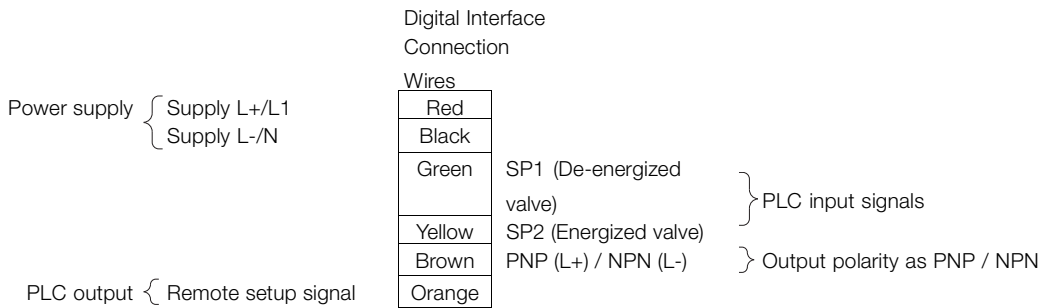
SBV	Yes	Unique SSV	Yes
Koltek	Yes	Unique SSV aseptic	Yes
LKLA-T	Yes	Unique SSV long stroke	No
ARC	Yes	SMP valves	Yes
SRC	Yes	Unique Mixproof	No
SRC long stroke	No		

### Dimensions

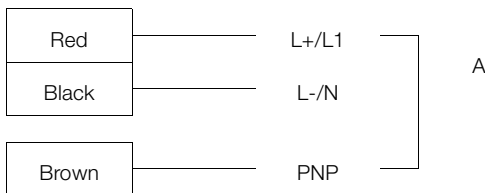


### Electrical connection

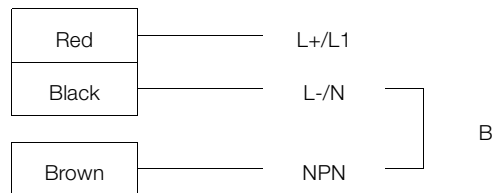
The fixed cable consists of 6 wires. For standard 2 feedbacks not using the remote setup features only 4 wires need to be connected to external systems (Red/Black/Green/Yellow). Brown is always connected to either Red (PNP) or Black (NPN) depending on whether PNP or NPN is required. The orange wire must be connected to Red if the remote setup feature is not used.



#### Connecting as PNP



#### Connecting as NPN

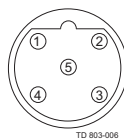


- A. Brown connected with Red wire on external screw terminals if PNP polarity
- B. Brown connected with Black wire on external screw terminals if NPN polarity

The fixed cable consists of 6 wires. For standard 2 feedback not using the remote setup feature only 4 wires need to be connected to external systems (Red/Black/Green/Yellow). Brown is always connected to either Red (PNP) or Black (NPN) depending on whether PNP or NPN is required. The orange wire must be connected to Red if the remote setup feature is not used.

#### Cable wire connections

Red	L+/L1
Black	L-/N
Green	SP1 (De-energized valve)
Yellow	SP2 (Energized valve)
Brown	PNP (L+) / NPN (L-)
	Remote setup signal
Orange	If not used - connect to L+/L1



#### M12 plug - PIN connections

PIN 1	Black	L-/N
PIN 2	Yellow	SP2 (Energized valve)
PIN 3	Green	SP1 (De-energized valve)
PIN 4	Red	L+/L1, 8-30V AC/DC
M12 Plug		PNP (L+) PIN 4
Internal wire connections	Brown	NPN (L-) PIN 1
PIN 5	Orange	Remote setup signal
		If not used - connect to L+/L1

Alfa Laval reserves the right to change specifications without prior notification. ALFA LAVAL is a trademark registered and owned by Alfa Laval Corporate AB.

ESE00182EN 1507

© Alfa Laval

---

**How to contact Alfa Laval**

Contact details for all countries are continually updated on our website. Please visit [www.alfalaval.com](http://www.alfalaval.com) to access the information direct.