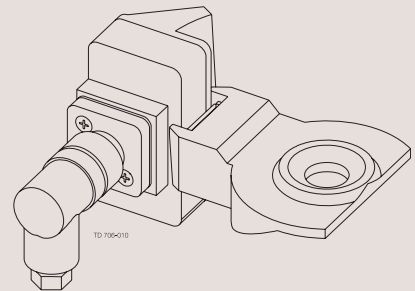
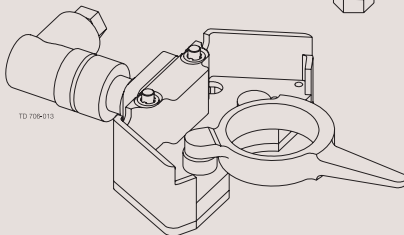
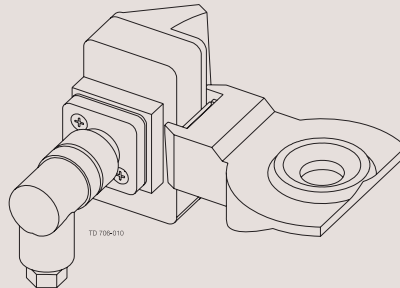
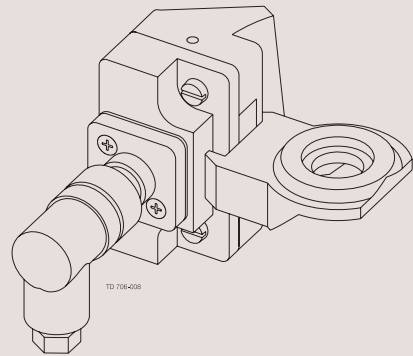
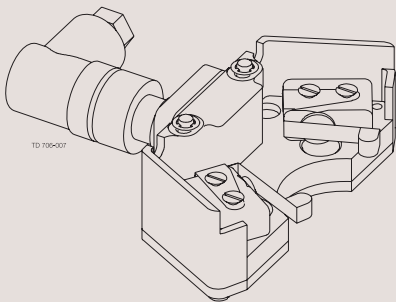




Spare Parts

Indication Units



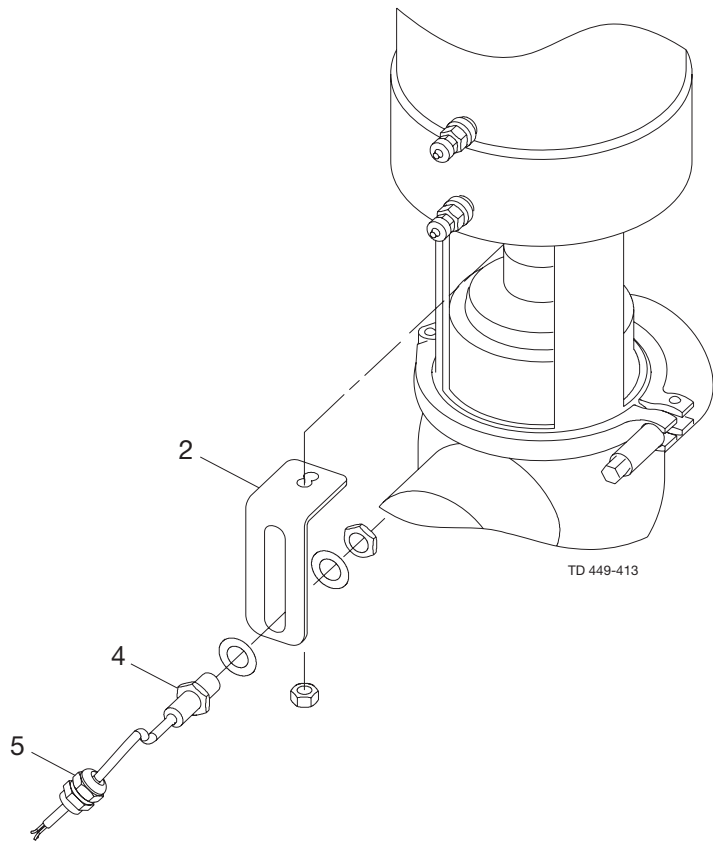
TD 706-019

ESE00781-EN2 2011-02

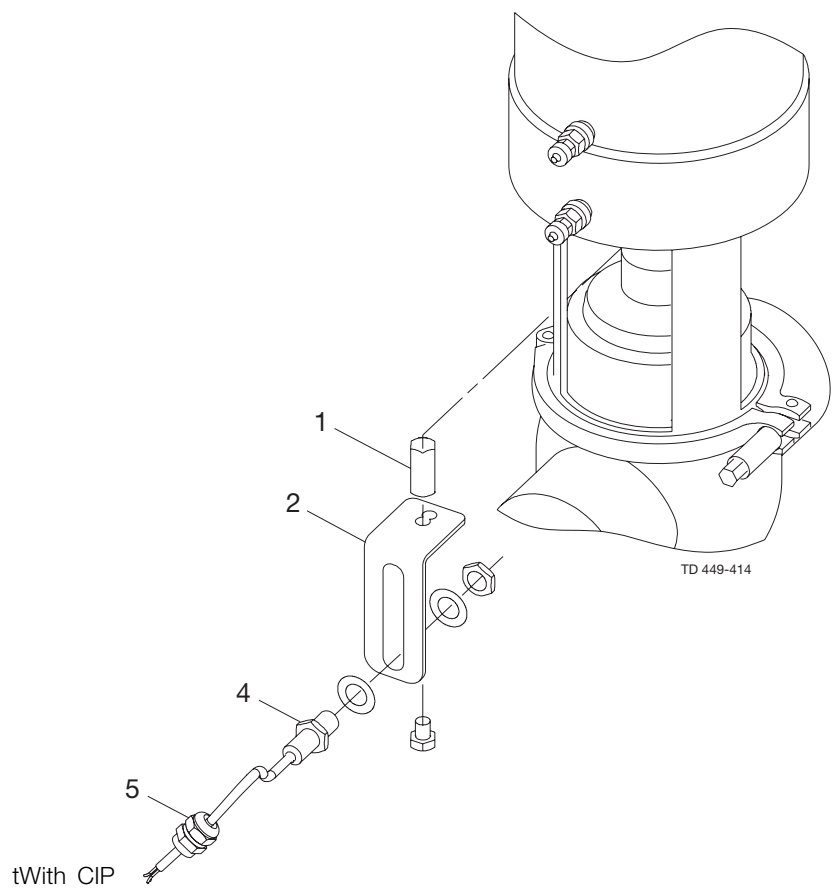
Original manual

The information herein is correct at the time of issue but may be subject to change without prior notice

1. Indication for Unique	4
2. Bracket with sensor unit for SMP-SC	6
3. Micro Switch Unit for Valve SRC	8
4. Inductive Proximity Switch Unit for Valve SRC/ARC	10
5. Hall Proximity Switch Unit for Valve SRC/ARC	12
6. Micro-Switch Unit for Air-Actuator LKLA	14
7. Hall Proximity Switch Unit	16
8. Micro-Switch Unit for Air Actuator LKLA ø133	18
9. Proximity Switches for Air Actuator LKLA ø133	20
10. Micro-Switch Unit for Valve LKAB	22
11. Bracket System Complete LKAP, SMP-EC, SRC, SRC-LS, ARC, SMP-BC, SMP-SC, LKLA-T, ARC-SB, SMP-BCA, SMP-TO, Koltex MH, SBV and Unique	24



Without CIP

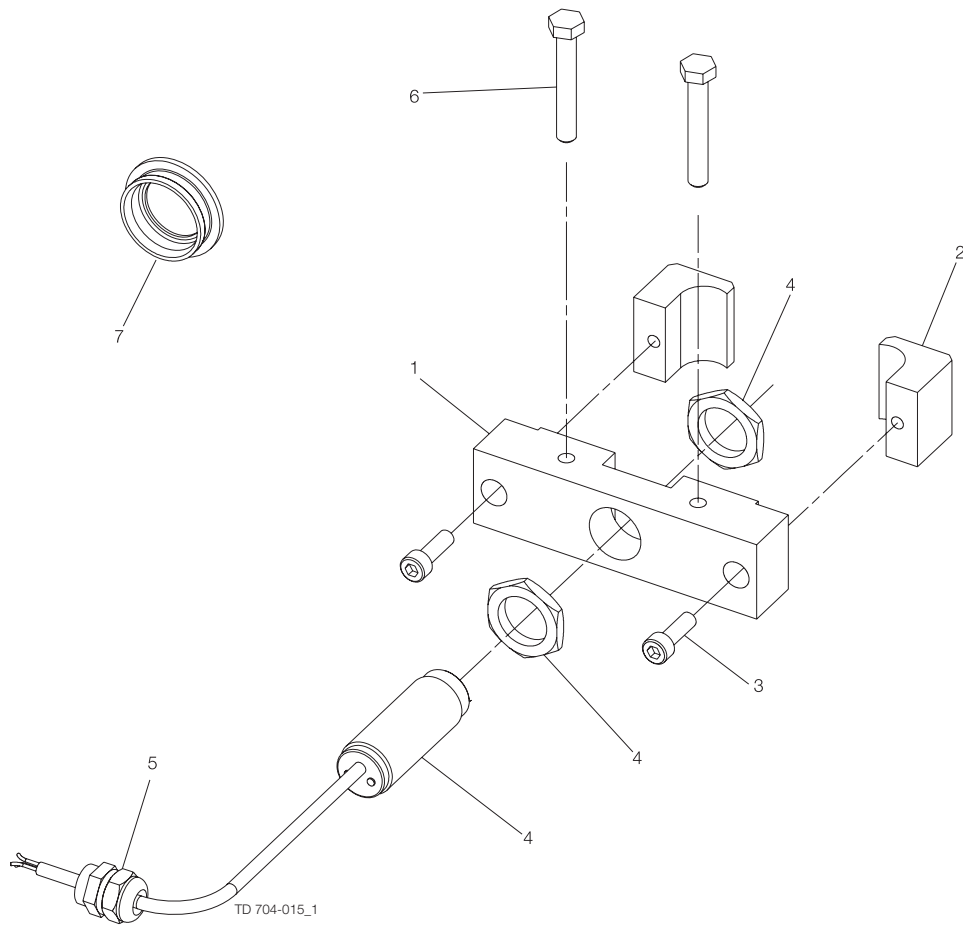


Indication for Unique

Pos	Qty	Denomination	38-101.6 mm DN40 - DN150 Sch. 5 2" - 6"
1	1	Nut	9611-99-4557
2	1	Bracket	9613-0955-03
4	1	Sensor, IFT249, 1m cable	9611-99-5197
	1	Sensor, IFT213, 6m cable	9611-99-5198
	1	Sensor, IFT213, M12 plug	9611-99-5199
5	1	Cable gland	9611-99-3603

TD 900-317

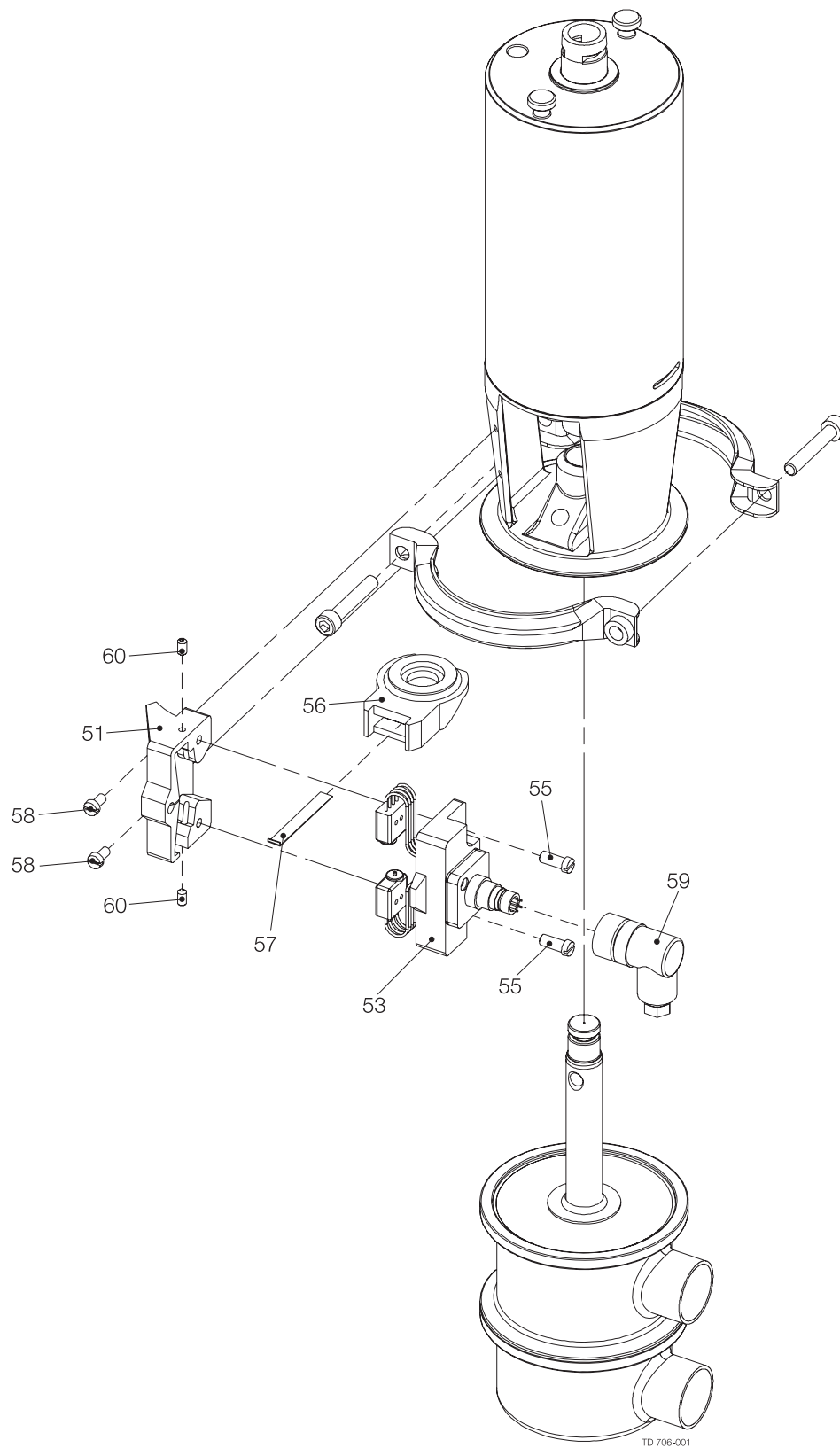
Not manufactured anymore



Bracket with sensor unit for SMP-SC

Pos	Qty	Denomination	51-76.1 mm	101.6 mm
			DN 50-65	DN 80-100
	1	Complete bracket with sensor unit, DC		
	1	Complete bracket with sensor unit, DC		
	1	Complete bracket with sensor unit, AC/DC		
	1	Complete bracket with sensor unit, AC/DC		
1	1	Support		
		Please order new complete bracket with sensor unit		
2	2	Claw		
3	2	Screw		
4	1	Sensor, DC		
		Please order new complete bracket with sensor unit		
4	1	Sensor, AC/DC		
		Please order new complete bracket with sensor unit		
5	1	Cable gland	9611-99-3603	9611-99-3603
6	2	Screw		
7	1	Lock ring	9612-2983-01	9612-3136-01

TD 900-201



TD 706-001

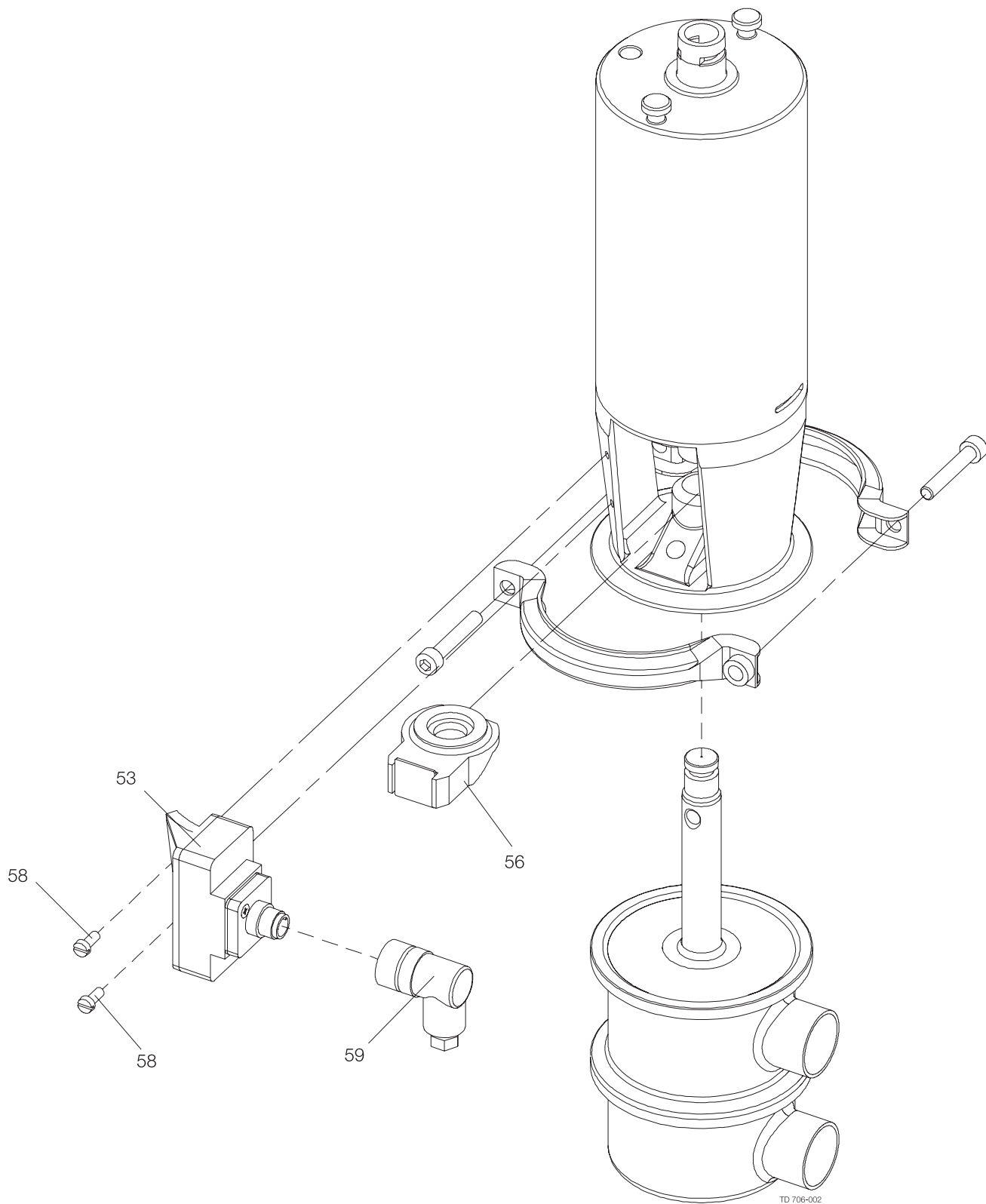
Micro Switch Unit for Valve SRC

Complete units

Pos	Qty	Denomination	38-63.5 mm	76.1-101.6 mm
			DN40 - DN65	DN80 - DN100
		Micro-switch unit, complete with female plug, (Period 0206-)		
		Micro-switch lower	9612-5228-05	9612-5229-05
		Micro-switch unit, complete with female plug, (Period 0206-)		
		Micro-switch upper and lower	9612-5228-06	9612-5229-06
		Micro-switch unit, complete with female plug, (Period 0206-)		
		Micro-switch upper	9612-5228-04	
		Micro-switch unit, complete, (Period -0206) Micro-switch lower ..		
		Micro-switch unit, complete, (Period -0206) Micro-switch upper		
		and lower		
		Micro-switch unit, complete, (Period -0206) Micro-switch upper ..		
51	1	Holder	31353-0415-1	31353-0415-1
53	1	Switch unit, one (1) micro-switch (Period 0206-)		
	1	Switch unit, two (2) micro-switches (Period 0206-)		
	1	Switch unit, one (1) micro-switch (Period -0206)		
	1	Switch unit, two (2) micro-switches (Period -0206)		
55	2	Screw	72018	72018
56	1	Ring	31353-0283-1	31353-0284-1
57	1	Spring	31353-0510-1	31353-0510-1
58	2	Screw	221121-48	221121-48
59	1	Female plug (Period 0206-)	9611-99-3245	9611-99-3245
	1	Cable connector, complete for 4.5 - 7 mm cable (Period -0206) ..		
60	2	Adjustment screw	221581-92	221581-92

Recommended spare parts: Pos.57.

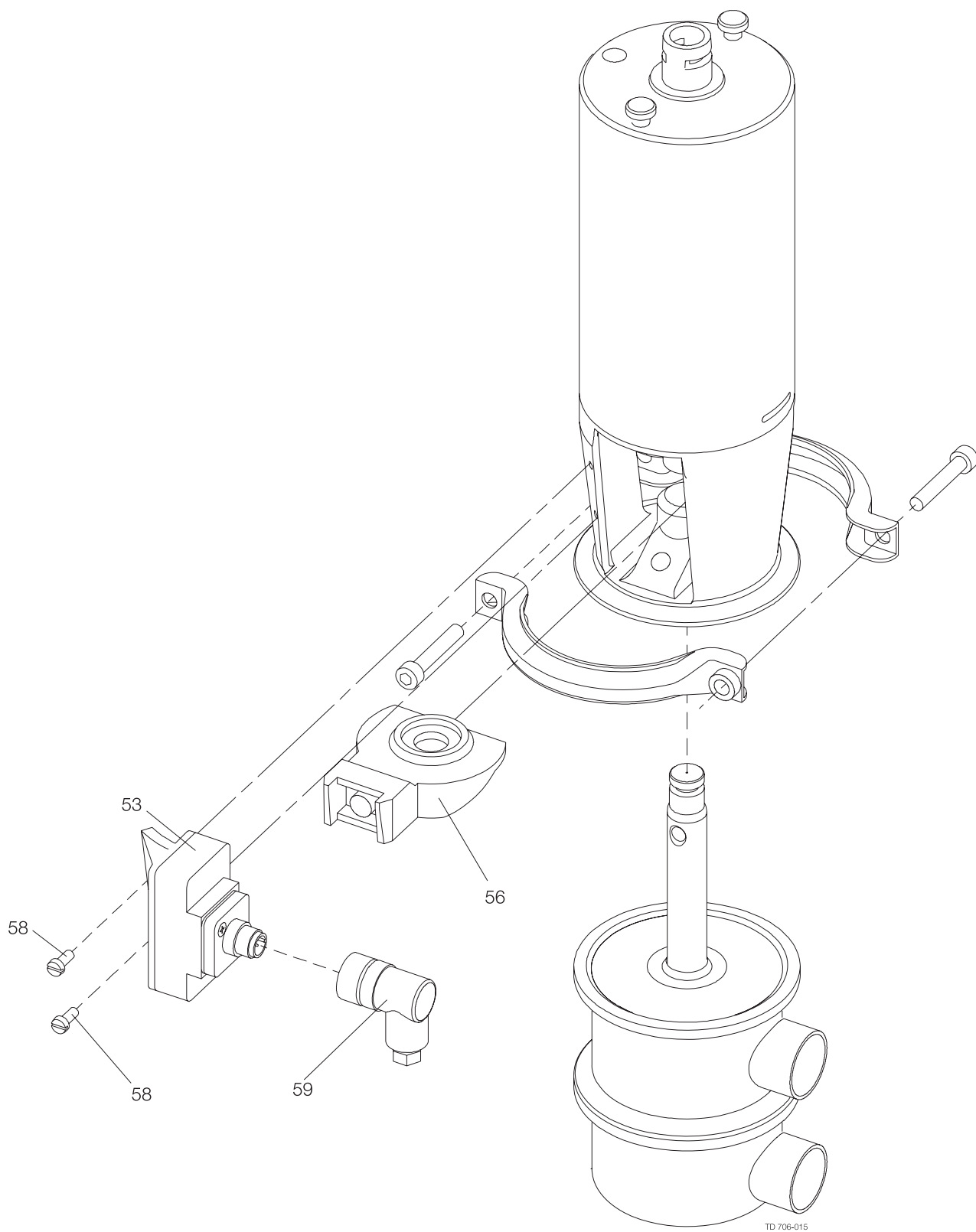
TD 900-078/1



Inductive Proximity Switch Unit for Valve SRC/ARC

Pos	Qty	Denomination	DN25	38-63.5 mm	76.1-101.6 mm
				DN40 - DN65	DN80 - DN100
		Stop/change-over valve SRC switch unit cpl. with female plug (Period 0206-)	9612-5190-09		
		Change-over valve SRC switch unit cpl. with female plug (Period 0206-)		9612-5190-09	9612-5190-08
		Stop valve SRC switch unit cpl. with female plug (Period 0206-) .		9612-5190-07	9612-5190-08
		Stop/change-over valve ARC switch unit cpl. with female plug (Period 0502-)			
		Change-over valve SRC/ARC (Period -0206)			
		Stop valve SRC (Period -0206)			
		Stop valve ARC (Period -0206)			
53	1	Switch unit, complete with 2 switches (Period 0206-). Please order new complete micro-switch unit.	9612-5189-03	9612-5189-03	9612-5189-04
	1	Switch unit, complete with 2 switches (Period -0206). Please order new complete micro-switch unit.			
56	1	Ring, (grey) Stop valve/change-over valve SRC			31353-0661-1
	1	Ring, (black) Stop valve SRC		31353-0660-2	
	1	Ring, (beige) Change-over valve SRC		31353-0660-3	
	1	Ring, (beige) Stop valve/change-over valve SRC	31353-0660-3		
	1	Ring, (beige) Stop valve/change-over valve ARC		31353-0660-4	31353-0661-3
58	2	Screw	221121-06	221121-06	221121-06
59	1	Female plug (Period 0206-)	9611-99-3245	9611-99-3245	9611-99-3245
	1	Cable connector, complete for 4.5 - 7 mm cable (Period -0206) ..			

TD 900-080/2

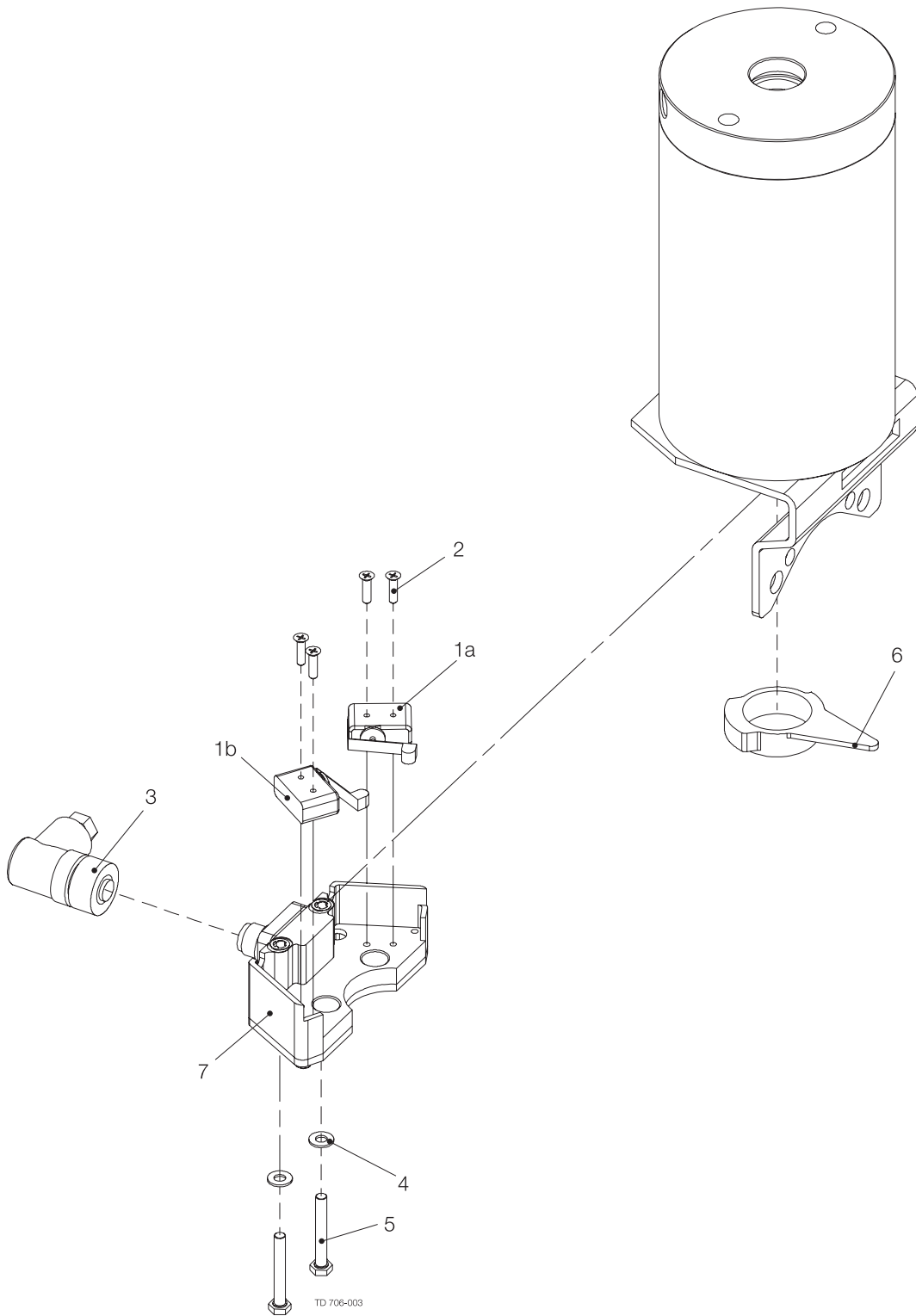


TD 706-015

Hall Proximity Switch Unit for Valve SRC/ARC

Pos	Qty	Denomination	38-63.5 mm	76.1-101.6 mm
			DN40 - DN65	DN80 - DN100
		Stop/change-over valve SRC/ARC switch unit cpl. with female plug PNP 5-24 VDC (Green)	9612-5205-07	9612-5205-10
		Stop/change-over valve SRC/ARC switch unit cpl. with female plug PNP 20-30 VDC (Grey)	9612-5419-07	9612-5419-10
53	1	Switch unit, PNP 5-24 VDC (Green). Please order new complete micro-switch unit.		
	1	Switch unit, NPN 5-24 VDC (Yellow). Please order new complete micro-switch unit.		
	1	Switch unit, PNP 20-30 VDC (Grey). Please order new complete micro-switch unit.		
56	1	Ring	9612-5204-01	9612-5224-01
58	2	Screw	221121-48	221121-06
59	1	Female plug	9611-99-3245	9611-99-3245

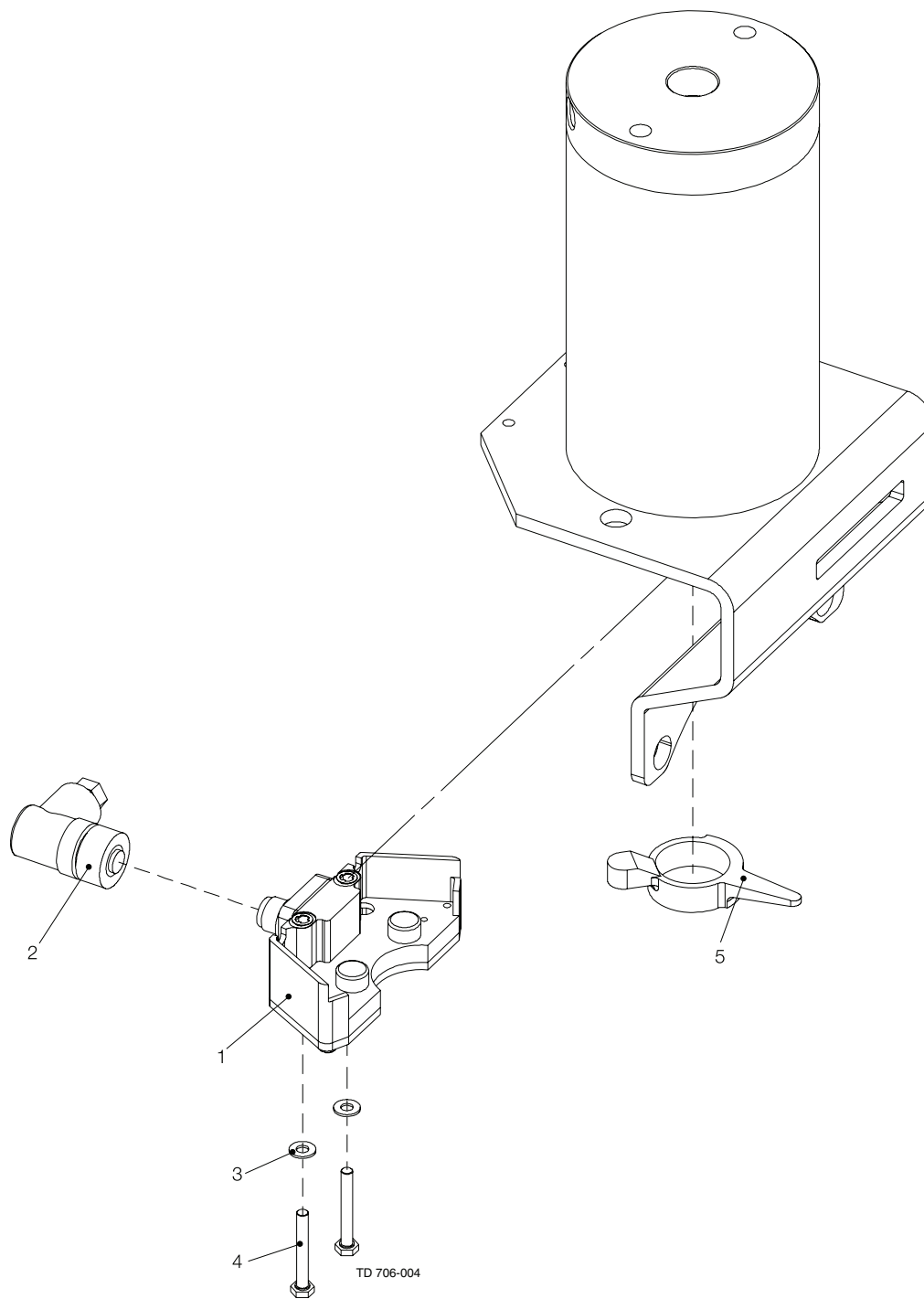
TD 900-202



Micro-Switch Unit for Air-Actuator LKLA

Pos	Qty	Denomination	25-101.6 mm DN 25 - DN 100
		Complete micro-switch unit, with female plug (Period 0206-)	9612-5107-02
		Complete micro-switch unit , (Period -0206)	9611-41-671-0
1a	1	Arm for micro-switch	9611-99-2542
1b	1	Arm for micro-switch	9611-99-0824
2	4	Screw, (Period 0206-)	9611-99-1177
	2	Screw, (Period -0206)	9611-99-0230
3	1	Female plug, (Period 0206-)	9611-99-3245
	1	Female plug, (Period -0206)	
4	2	Washer	9611-99-0800
5	2	Hexagon screw	9611-99-1239
6	1	Activation ring with screw	9611-41-669-0
		(Not included in the complete micro-switch unit)	
7	1	Housing	
		Please order new complete micro-switch unit	

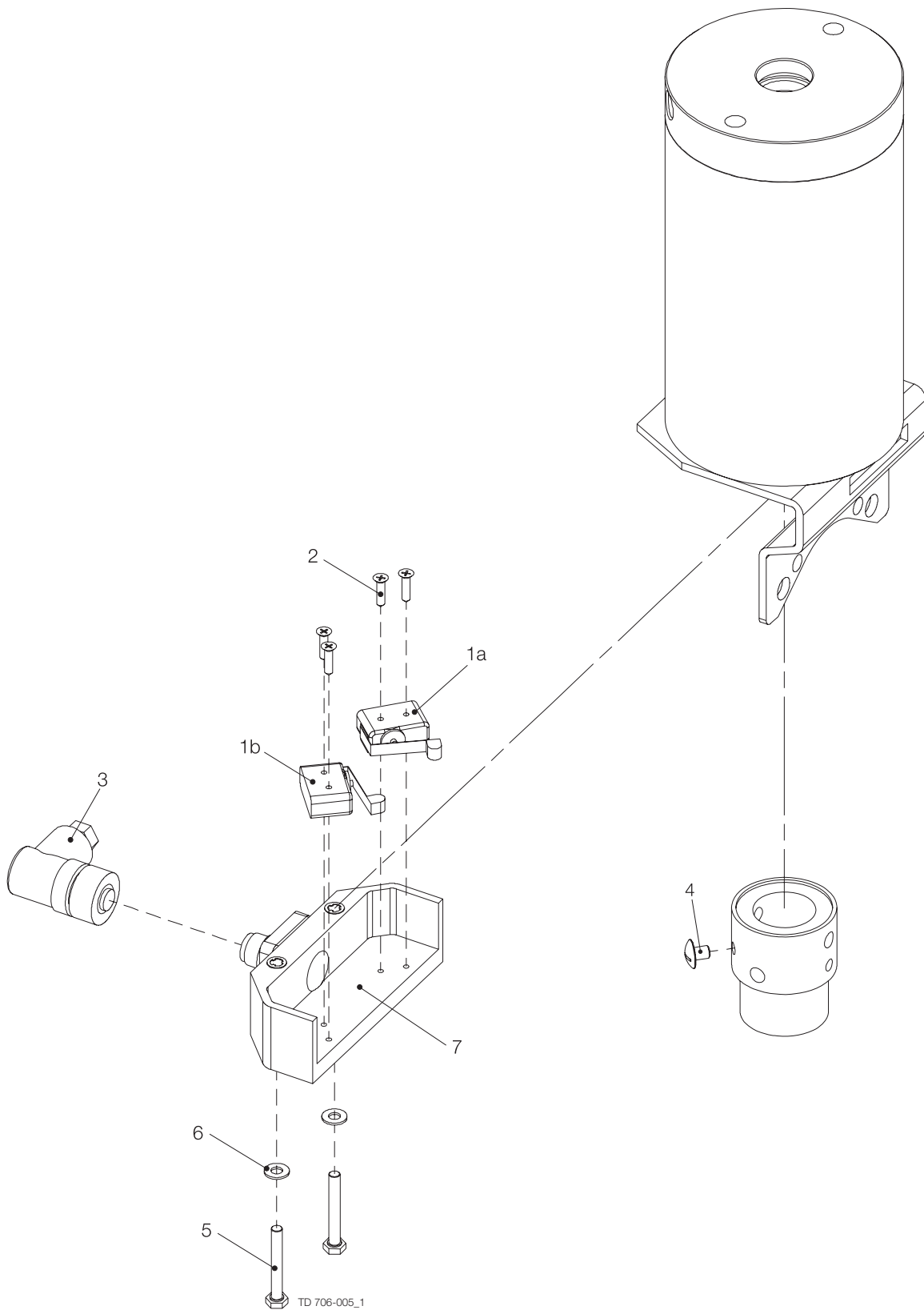
TD 900-081/1



Hall Proximity Switch Unit

Pos	Qty	Denomination	25-101.6 mm	
			DN 25-DN 100	DN 150
		Complete, Hall-sensor, NPN 5-24 VDC with female plug (yellow) (Period 0206-)	9612-5106-11	
		Complete, Hall-sensor, PNP 5-24 VDC with female plug (green) (Period 0206-)	9612-5106-15	
		Complete, Hall-sensor, PNP 20-30 VDC with female plug (grey) (Period 0206-)	9612-5106-13	
		Complete, Hall-sensor, NPN 5-24 VDC (yellow) (Period -0206)		
		Complete, Hall-sensor, PNP 5-24 VDC (green) (Period -0206)		
		Complete, Hall-sensor, PNP 20-30 VDC (grey) (Period -0206)		
1	1	Housing, NPN 5-24 VDC (yellow)		
	1	Housing, PNP 5-24 VDC (green)		
	1	Housing, PNP 20-30 VDC (grey)		
		Please order new complete Hall Proximity-switch Unit		
2	1	Female plug, (Period 0206-)	9611-99-3245	9611-99-3245
	1	Female plug, (Period -0206)		
3	2	Washer	9611-99-0800	9611-99-0800
4	2	Hexagon screw	9611-99-1239	9611-99-1239
5	1	Activation ring with magnet	9611-41-687-0	9611-41-666-0

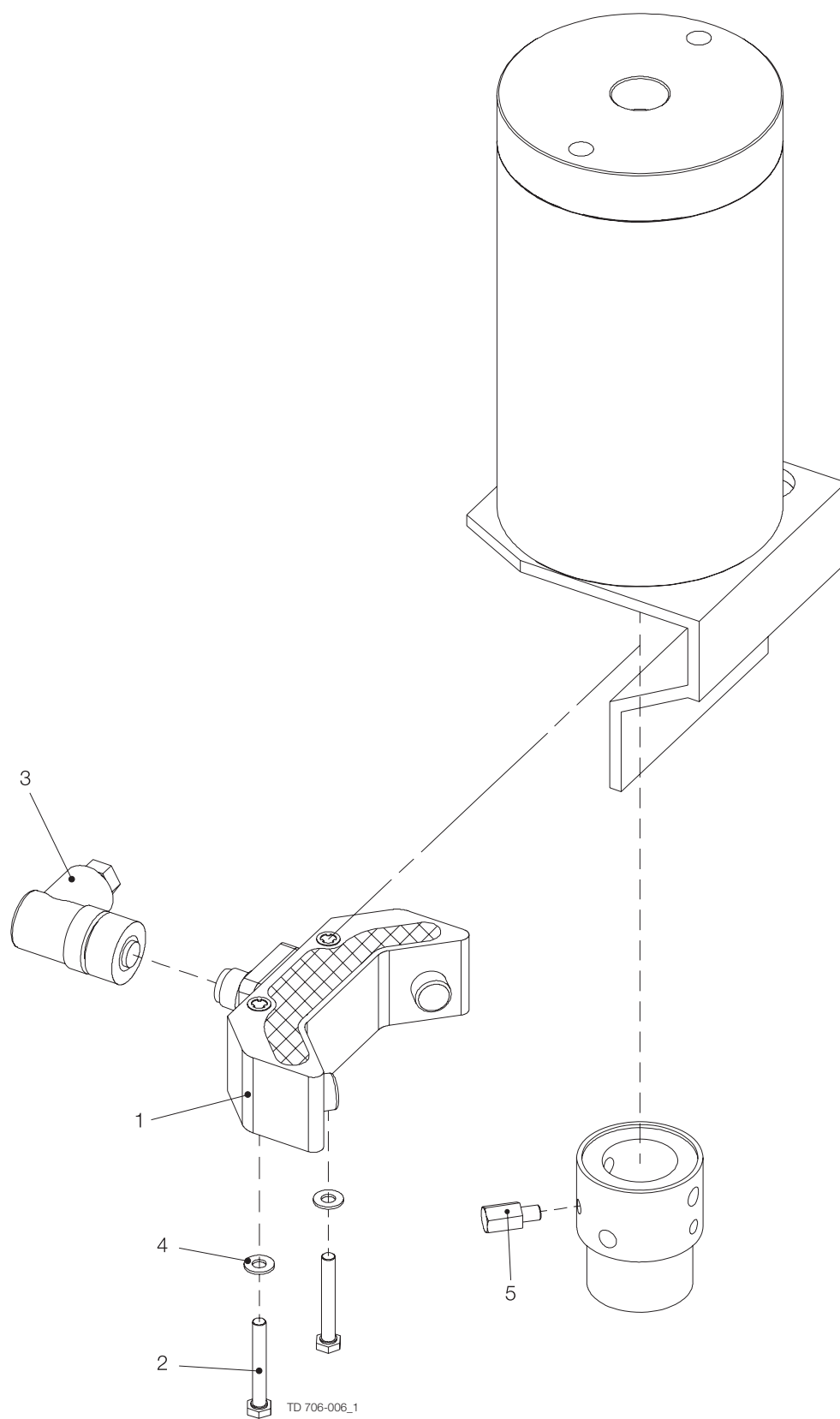
TD 900-083/1



Micro-Switch Unit for Air Actuator LKLA ø133

Pos	Qty	Denomination	101.6 mm DN100-150
		Complete micro-switch unit, with female plug (Period 0206-)	9612-5109-02
		Complete micro-switch unit, (Period -0206)	
1a	1	Arm for micro-switch	9611-99-2542
1b	1	Arm for micro-switch	9611-99-0824
2	4	Screw	9611-99-0230
3	1	Female plug, (Period 0206-)	9611-99-3245
	1	Female plug, (Period -0206)	
4	1	Indication screw	9612-2860-01
5	2	Screw	9611-99-1239
6	2	Washer	9611-99-0800
7	1	Housing	
		Please order new complete micro-switch unit	

TD 900-084/1

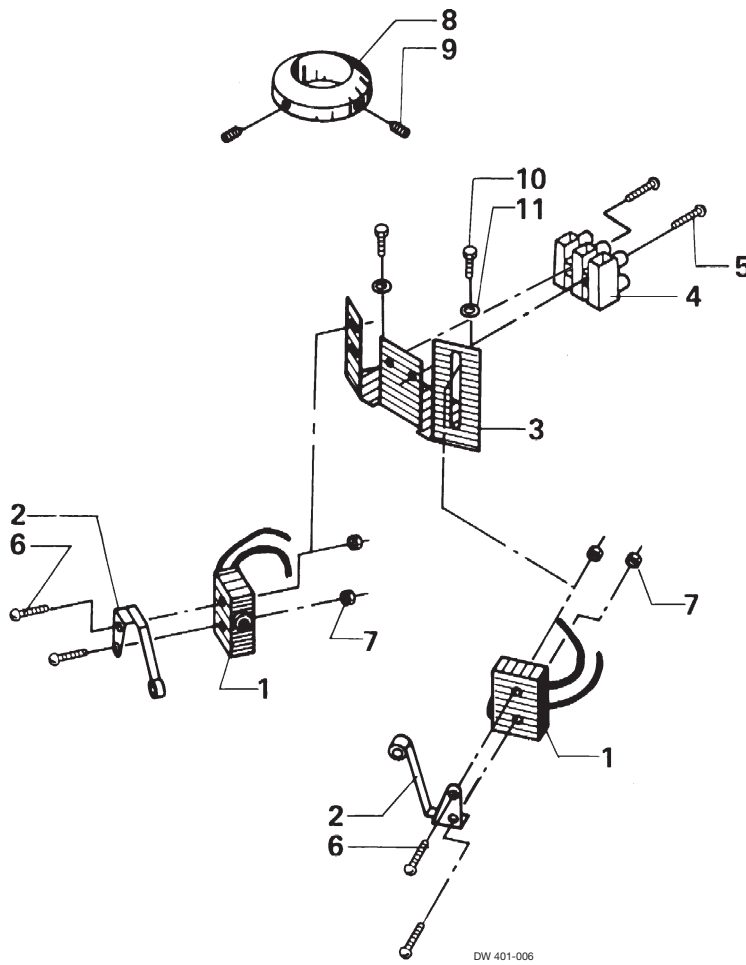


Proximity Switches for Air Actuator LKLA ø133

Pos	Qty	Denomination	101.6 mm DN100-150 w. inductive sensors w. Hall Sensors (Period -0206)
		Complete proximity-switch unit, NPN 5-24 VDC with female plug (yellow) (Period 0206-)	
		Complete proximity-switch unit, PNP 5-24 VDC with female plug (green) (Period 0206-)	9612-5108-06
		Complete proximity-switch unit, PNP 20-30 VDC with female plug (grey) (Period 0206-)	9612-5108-05
		Complete proximity-switch unit, NPN 5-24 VDC with female plug (yellow) (Period -0206)	
		Complete proximity-switch unit, PNP 5-24 VDC with female plug (green) (Period -0206)	
		Complete proximity-switch unit, PNP 20-30 VDC with female plug (grey) (Period -0206)	
		Complete proximity-switch unit, inductive sensors (Period -0206)	
1	1	Housing, NPN 5-24 VDC (yellow)	
	1	Housing, PNP 5-24 VDC (green)	
	1	Housing, PNP 20-30 VDC(grey)	
		Please order new complete proximity-switch unit	
2	2	Screw	9611-99-1239 9611-99-1239
3	1	Female plug, (Period 0206-)	9611-99-3245
	1	Female plug, (Period -0206)	
4	2	Washer	9611-99-0800 9611-99-0800
5	1	Screw	9612-2855-01 9612-0392-01

TD 900-085/1

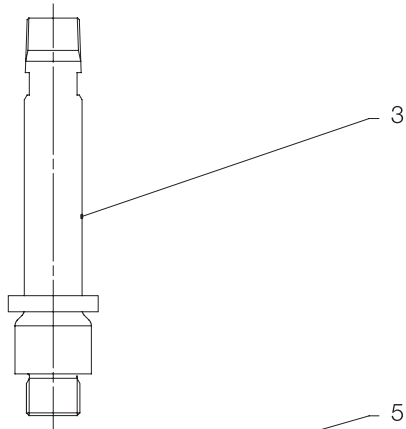
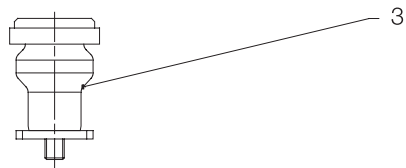
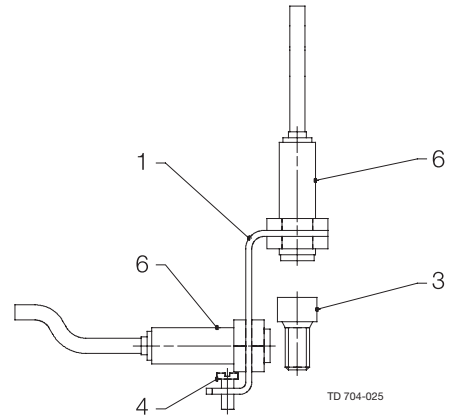
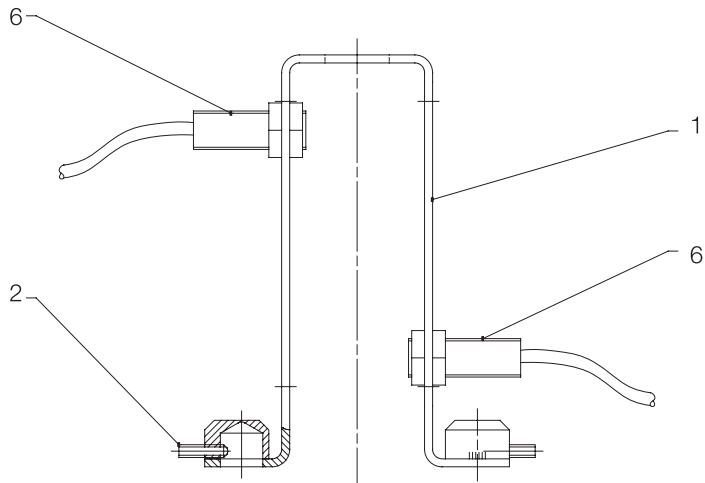
Not manufactured anymore



Micro-Switch Unit for Valve LKAB

Pos	Qty	Denomination	9611-40-0874	
			38-51 mm 63.5 mm	76.1 mm 101.6 mm
		Micro-switch complete included pos. 1-7	9611-97-0003	9611-97-0003
1	2	Micro-switch	9611-99-1190	9611-99-1190
2	2	Arm for micro-switch	9611-99-0824	9611-99-0824
3	1	Retaining plate	9611-40-2579	9611-40-2579
4	3	Terminal strip	9611-99-0817	9611-99-0817
5	2	Screw	9611-99-0383	9611-99-0383
6	4	Screw	9611-99-0230	9611-99-0230
7	4	Nut	9611-99-0492	9611-99-0492
8	1	Activation ring	9611-40-2580	
9	2	Screw	9611-99-0300	9611-99-0300
10	2	Screw	9611-99-0218	9611-99-0218
11	1	Washer	9611-99-0710	9611-99-0710

TD 900-086/1



TD 704-026_1

Bracket System Complete LKAP, SMP-EC, SRC, SRC-LS, ARC, SMP-BC, SMP-SC, LKLA-T, ARC-SB, SMP-BCA, SMP-TO, Koltek MH, SBV and Unique

SRC, SRC-LS,
ARC, SMP-BC,
SMP-SC,
LKLA-T,
ARC-SB,
SMP-BCA,
SMP-TO,
Koltek MH,
SBV
and Unique

Pos	Qty	Denomination	LKAP	SMP-EC	SRC, SRC-LS, ARC, SMP-BC, SMP-SC, LKLA-T, ARC-SB, SMP-BCA, SMP-TO, Koltek MH, SBV and Unique
1	1	Bracket complete	9612-4989-01	9612-4112-01	9612-4112-02
	1	Bracket	9612-4926-01	9612-4113-01	9612-4113-01
2	2	Pointed screw		9611-99-1756	9611-99-1756
3	1	Indication Pin	9611-99-2633	9612-0851-02	9612-4117-01
4	2	Screw	9611-99-0337		
5	1	O-ring		223403-80	
6	1	Sensor, NF5003 Ex. protection, 2m cable	9611-99-5195	9611-99-5195	9611-99-5195
	1	Sensor, NF501A Ex. protection, M12 plug	9611-99-5196	9611-99-5196	9611-99-5196
	1	Sensor, IFM IF 5718, 2m cable	9611-99-2900	9611-99-2900	9611-99-2900
	1	Sensor, IFT 249, 1m cable	9611-99-5197	9611-99-5197	9611-99-5197
	1	Sensor, IFT 213, 6m cable	9611-99-5198	9611-99-5198	9611-99-5198
	1	Sensor, IFT 213, M12 plug	9611-99-5199	9611-99-5199	9611-99-5199

TD 900-087/2

How to contact Alfa Laval

Contact details for all countries are continually updated on our website.

Please visit www.alfalaval.com to access the information direct.

© Alfa Laval Corporate AB

This document and its contents is owned by Alfa Laval Corporate AB and protected by laws governing intellectual property and thereto related rights. It is the responsibility of the user of this document to comply with all applicable intellectual property laws. Without limiting any rights related to this document, no part of this document may be copied, reproduced or transmitted in any form or by any means (electronic, mechanical, photocopying, recording, or otherwise), or for any purpose, without the expressed permission of Alfa Laval Corporate AB. Alfa Laval Corporate AB will enforce its rights related to this document to the fullest extent of the law, including the seeking of criminal prosecution.