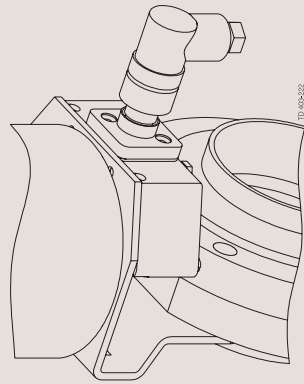




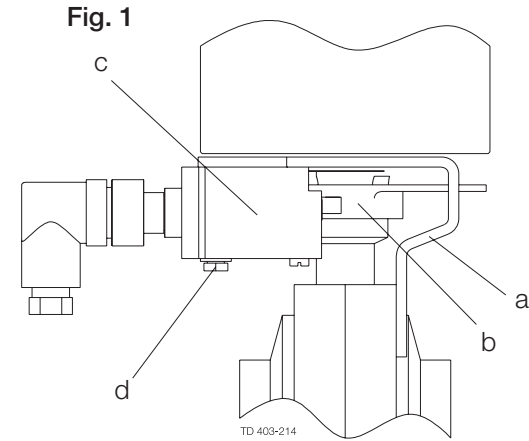
Installation Instruction

Indication unit for LKB/LKA ø85 (Micro switch Unit)



IM70858-4-GB5
9611-98-4234
2016-11

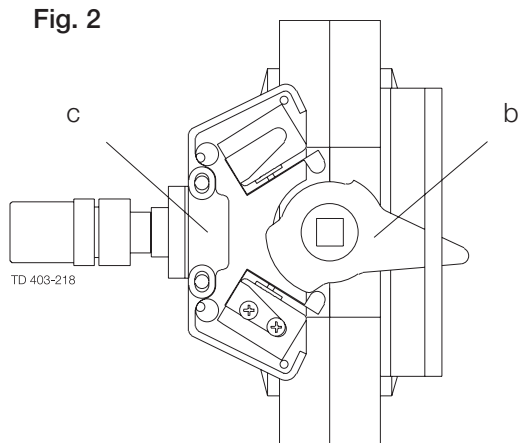
1a. **Note!** Pict. 1a + 1b should be read/seen as one!



Before installation:

- (Dismantle/assemble the valve in accordance with the valve instructions manual)
- Fit the metal bracket (a) and align the activation ring (b) with the screw into the mark recess before installing the indication unit (fig. 1 & 2).

1b.

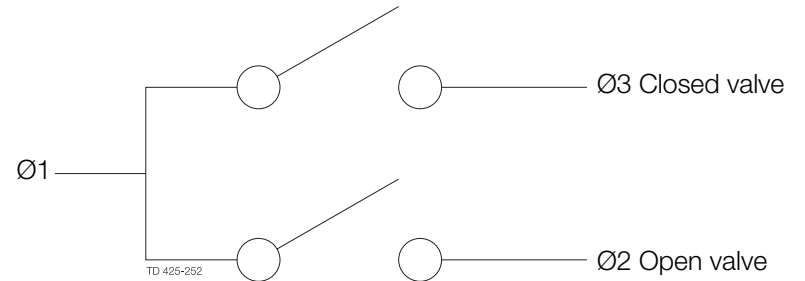


Fitting of indication unit:

- Fit the indication unit (c) on the metal bracket (a) (fig. 1 & 2).
- Tighten the screws (d) (fig. 1).

2.

Fig. 3



Electrical connections:

- Connect the indication unit as shown in the wiring diagram (fig. 3).
- Test the indication unit by activating/de-activating the valve while reading the output (feedback).

3.

Electrical data:

Type: NO or NC.

Signal output: On/Off, digital.

Supply voltage: 24-55 (110) VDC/VAC.

Supply current: Min. 100mA.

Max. 1A

Note! As the unit is not earthed it should not be used for voltages exceeding 55V.