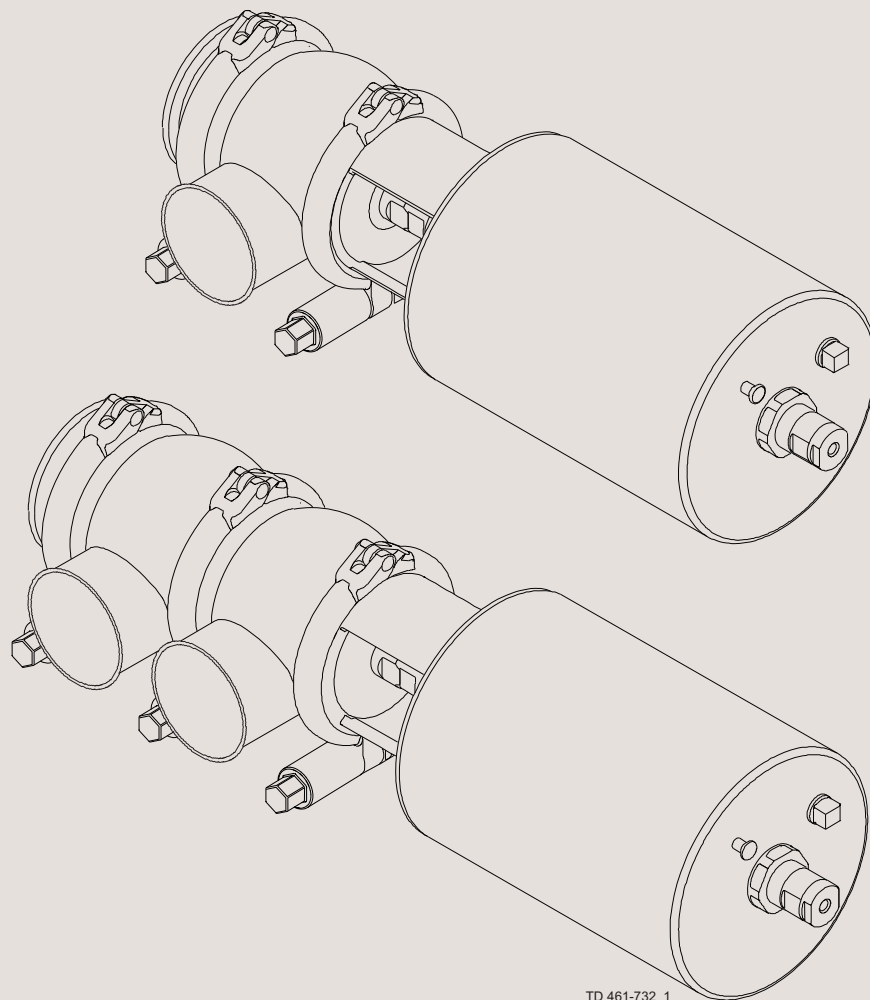




Spare Parts

Unique Single Seat Valve - Tangential



TD 461-732_1

ESE00596-EN5

2016-06

Original manual

Table of contents

The information herein is correct at the time of issue but may be subject to change without prior notice

1. Important information	4
2. Unique Single Seat Valve - Tangential Shut off Valve - 51-101.6 mm	6
3. Unique Single Seat Valve -Tangential Change Over Valve - 51-101.6 mm	8
4. Mounting Tool - Unique Single Seat Valve - Tangential	10

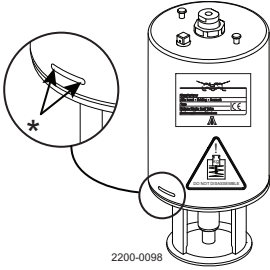
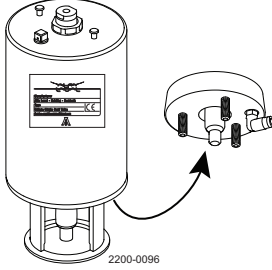

1 Important information

Different actuator types for the SSV valve

In June 2016 the below change was implemented and the "removable yoke with bolts" version is thereby phased out and replaced by the "yoke without bolts" version.

NOTE

It is important to check for warnings marked on the actuator when servicing an actuator- see below table.

<p>Actuator type</p>	<p>Non-maintable actuator Spring under load and can NOT be opened</p>  <p>*) Lock wire opening is locked, when warning is marked on actuator</p>	<p>Fully maintainable actuator Spring cage and can be opened</p> 	<p>Fully maintainable actuator Spring cage and can be opened</p> 
<p>Yoke type</p>	<p>Non-removable yoke</p>	<p>"Removable yoke with bolts". If the yoke with bolts is damaged it has to be replaced by the "yoke without bolts"</p>	<p>"Yoke without bolts"</p>
<p>Service</p>	<p>Not possible to service internally (it is not possible to change piston o-rings)</p>	<p>Yes</p>	<p>Yes</p>
<p>Marked with warnings</p>	<p>Yes</p>	<p>No</p>	<p>No</p>
<p>Year of production</p>	<p>From 2006</p>	<p>From 2006 - June 2016</p>	<p>From June 2016</p>

Unique Single Seat Valve - Tangential Shut off Valve - 51-101.6 mm

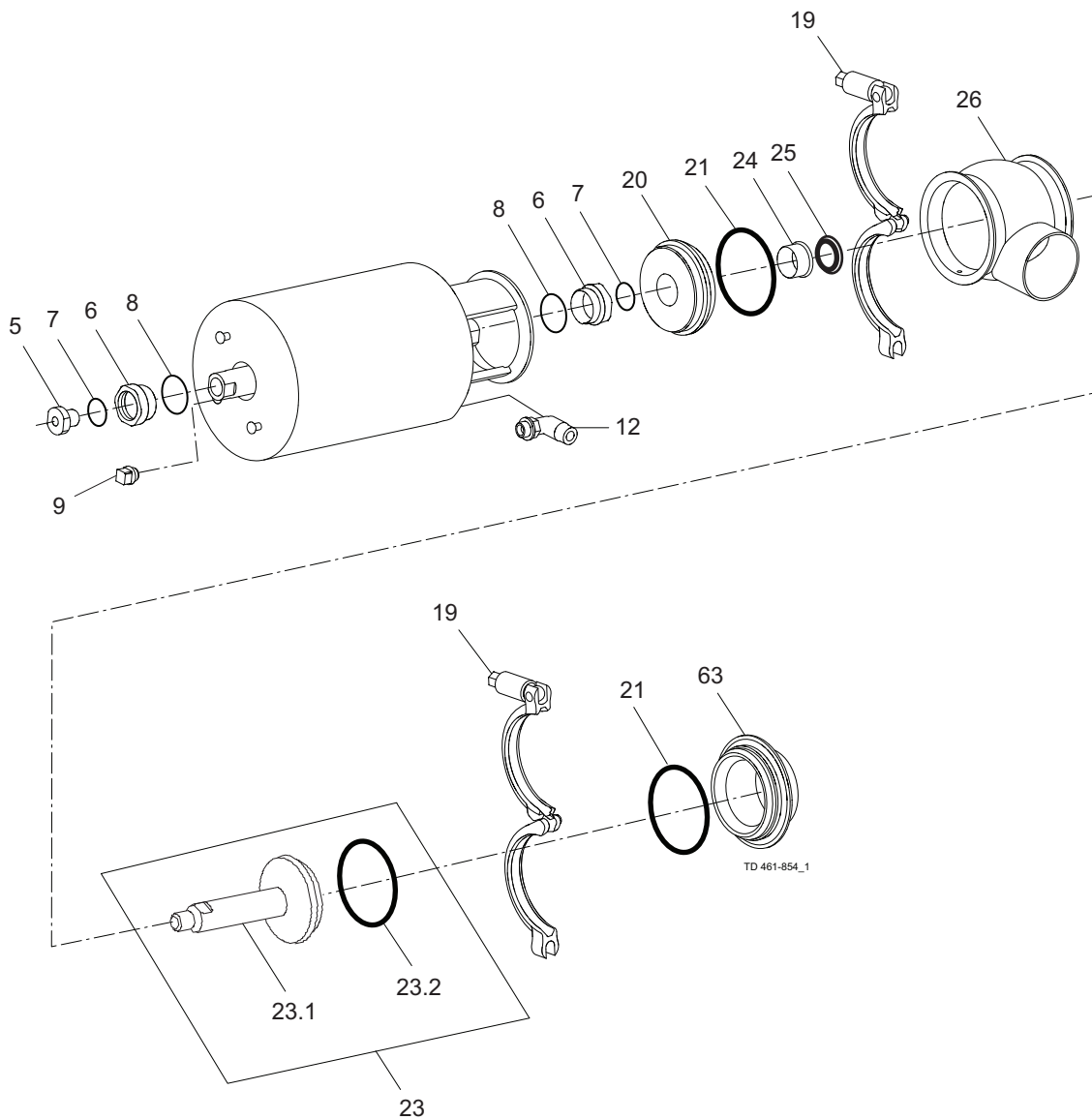
If the actuator is marked with a danger warning do **NOT** attempt to cut the actuator open.



Do **NOT** attempt to disassemble the actuator due to spring under load danger!



Do **NOT** attempt to cut the actuator open, due to spring under load danger!



Unique Single Seat Valve - Tangential Shut off Valve - 51-101.6 mm

Pos	Qty	Denomination	51 mm	63.5 mm	76.1 mm	101.6 mm
Actuator						
		Actuator, complete (NO)	9613154802	9613154803	9613154804	9613154805
		Actuator, complete (NC)	9613154807	9613154808	9613154809	9613154810
		Actuator, complete (A/A)	9613154812	9613154813	9613154814	9613154815
5	1	Adapter, plastic (- 0115)				
	1	Adapter, steel (0115 -)	9614065301	9614065301	9614065301	9614065301
6	□	2 Bushing				
7	□	2 O-ring				
8	□	2 O-ring				
9	1	Plug	9613414101	9613414101	9613414101	9613414101
12	1(2)	Air fitting	9611991988	9611991988	9611991988	9611991988
Clamp						
19	2	Clamp	9612939304	9612939305	9612939306	9612939307
Bonnet						
20	1	Bonnet	9613127103	9613127104	9613127105	9613127106
21	♦	2 O-ring, EPDM (standard)				
	2	O-ring, HNBR				
	2	O-ring, FPM				
		O-ring set (10 pcs.) EPDM	9614059425	9614059428	9614059431	9614059434
		O-ring set (10 pcs.) HNBR	9614059426	9614059429	9614059432	9614059435
		O-ring set (10 pcs.) FPM	9614059427	9614059430	9614059433	9614059436
24	1	Bushing	9613125002	9613125002	9613125002	9613125002
25	♦	1 Lip seal, EPDM (standard)				
	1	Lip seal, HNBR				
	1	Lip seal, FPM				
		Lip seal set (10 pcs.) EPDM	9614059419	9614059419	9614059419	9614059419
		Lip seal set (10 pcs.) HNBR	9614059420	9614059420	9614059420	9614059420
		Lip seal set (10 pcs.) FPM	9614059421	9614059421	9614059421	9614059421
Valve Body						
26	1	Valve body, 1 port, welding ends	9613444801	9613444803	9613444805	9613444807
	1	Valve body, 2 ports, welding ends	9613444802	9613444804	9613444806	9613444808
63	1	Port seal element, welding ends	9634071101	9634071201	9634071301	9634071401
Valve Plug						
23	1	Plug, shut-off, complete, EPDM (standard)	9613138803	9613138804	9613138805	9613138806
	1	Plug, shut-off, complete, HNBR	9613138815	9613138816	9613138817	9613138818
	1	Plug, shut-off, complete, FPM	9613138827	9613138828	9613138829	9613138830
23.1	1	Plug, shut-off	9613139803	9613139804	9613139805	9613139806
23.2♦	1	Plug seal, EPDM (standard)				
	1	Plug seal, HNBR				
	1	Plug seal, FPM				
		Plug seal set (10 pcs.) EPDM	9614059407	9614059410	9614059413	9614059416
		Plug seal set (10 pcs.) HNBR	9614059408	9614059411	9614059414	9614059417
		Plug seal set (10 pcs.) FPM	9614059409	9614059412	9614059415	9614059418
			51 mm	63.5 mm	76.1 mm	101.6 mm

Service kit for Actuator

□	Service kit	9611926500	9611926500	9611926500	9611926500
---	-------------------	------------	------------	------------	------------

Service kit for Product wetted parts, standard

♦	Service kit, EPDM	9611926743	9611926744	9611926745	9611926746
♦	Service kit, HNBR	9611926747	9611926748	9611926749	9611926750
♦	Service kit, FPM	9611926751	9611926752	9611926753	9611926754

Parts marked with □♦ are included in the service kits.

Recommended spare parts: Service kits.

Unique Single Seat Valve -Tangential Change Over Valve - 51-101.6 mm

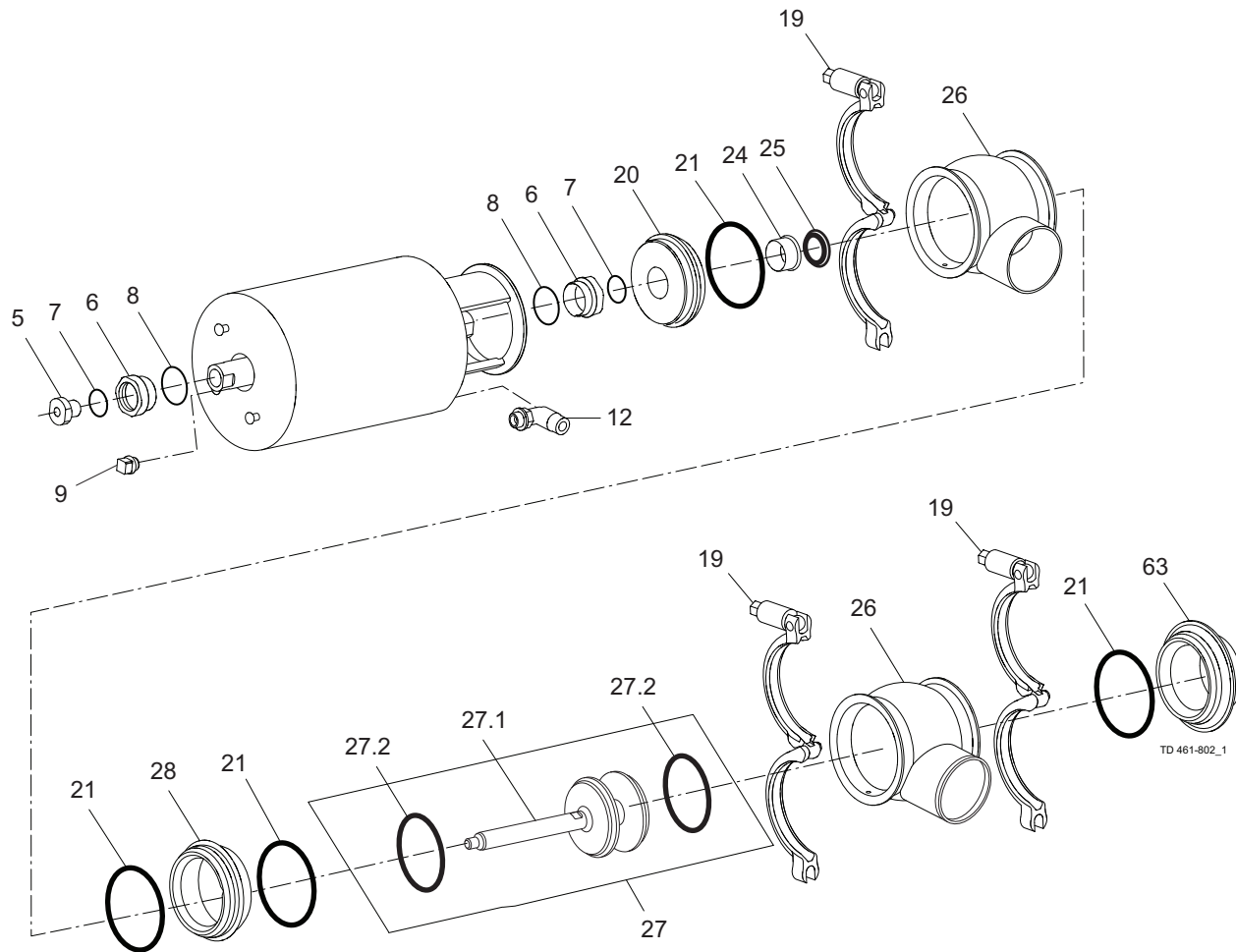
If the actuator is marked with a danger warning do **NOT** attempt to cut the actuator open.



Do **NOT** attempt to disassemble the actuator due to spring under load danger!



Do **NOT** attempt to cut the actuator open, due to spring under load danger!



Unique Single Seat Valve -Tangential Change Over Valve - 51-101.6 mm

Pos	Qty	Denomination	51 mm	63.5 mm	76.1 mm	101.6 mm
Actuator						
		Actuator, complete (NO)	9613154802	9613154803	9613154804	9613154805
		Actuator, complete (NC)	9613154807	9613154808	9613154809	9613154810
		Actuator, complete (A/A)	9613154812	9613154813	9613154814	9613154815
5	1	Adapter, plastic (- 0115)				
	1	Adapter, steel (0115 -)	9614065301	9614065301	9614065301	9614065301
6	□	2 Bushing				
7	□	2 O-ring				
8	□	2 O-ring				
9	1	Plug	9613414101	9613414101	9613414101	9613414101
12	1(2)	Air fitting	9611991988	9611991988	9611991988	9611991988
Clamp						
19	3	Clamp	9612939304	9612939305	9612939306	9612939307
Bonnet						
20	1	Bonnet	9613127103	9613127104	9613127105	9613127106
21	♦	4 O-ring, EPDM (standard)				
	4	O-ring, HNBR				
	4	O-ring, FPM				
		O-ring set (10 pcs.) EPDM	9614059425	9614059428	9614059431	9614059434
		O-ring set (10 pcs.) HNBR	9614059426	9614059429	9614059432	9614059435
		O-ring set (10 pcs.) FPM	9614059427	9614059430	9614059433	9614059436
24	1	Bushing	9613125002	9613125002	9613125002	9613125002
25	♦	1 Lip seal, EPDM (standard)				
	1	Lip seal, HNBR				
	1	Lip seal, FPM				
		Lip seal set (10 pcs.) EPDM	9614059419	9614059419	9614059419	9614059419
		Lip seal set (10 pcs.) HNBR	9614059420	9614059420	9614059420	9614059420
		Lip seal set (10 pcs.) FPM	9614059421	9614059421	9614059421	9614059421
Seat						
28	1	Seat	9613127503	9613127504	9613127505	9613127506
Valve Body						
26	1	Valve body, 1 port, welding ends	9613444801	9613444803	9613444805	9613444807
	1	Valve body, 2 ports, welding ends	9613444802	9613444804	9613444806	9613444808
63	1	Port seal element, welding ends	9634071101	9634071201	9634071301	9634071401
Valve Plug						
27	1	Plug, change-over, complete, EPDM (standard)	9613127703	9613127704	9613127705	9613127706
	1	Plug, change-over, complete, HNBR	9613127715	9613127716	9613127717	9613127718
	1	Plug, change-over, complete, FPM	9613127727	9613127728	9613127729	9613127730
27.1	1	Plug, change-over	9613140003	9613140004	9613140005	9613140006
27.2♦	2	Plug seal, EPDM (standard)				
	2	Plug seal, HNBR				
	2	Plug seal, FPM				
		Plug seal set (10 pcs.) EPDM	9614059407	9614059410	9614059413	9614059416
		Plug seal set (10 pcs.) HNBR	9614059408	9614059411	9614059414	9614059417
		Plug seal set (10 pcs.) FPM	9614059409	9614059412	9614059415	9614059418
			51 mm	63.5 mm	76.1 mm	101.6 mm

Service kit for Actuator

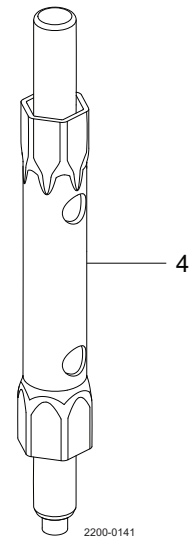
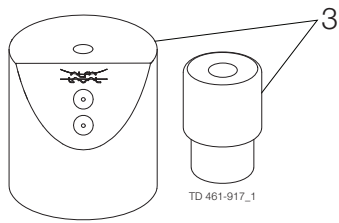
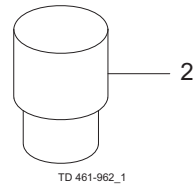
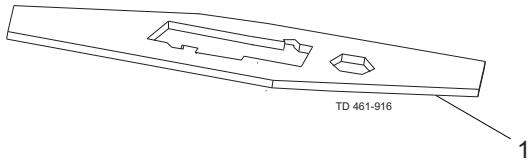
□	Service kit, actuator	9611926500	9611926500	9611926500	9611926500
---	-----------------------------	------------	------------	------------	------------

Service kit for Product wetted parts, standard

♦	Service kit, EPDM	9611926755	9611926756	9611926757	9611926758
♦	Service kit, HNBR	9611926759	9611926760	9611926761	9611926762
♦	Service kit, FPM	9611926763	9611926764	9611926765	9611926766

Parts marked with □♦ are included in the service kits.

Recommended spare parts: Service kits.



Mounting Tool - Unique Single Seat Valve - Tangential

Pos	Qty	Denomination	DN 50-65	DN 80-150
			51-63.5 mm	76.1-101.6 mm
1	1	Service tool only for Maintainable actuator	3135302191	9612454001

TD 900-516

Pos	Qty	Denomination	DN 50-100
			51-101.6 mm
2	1	Tool for bushing (pos. 24)	9613160901

Pos	Qty	Denomination	DN 50	DN 65	DN 80	DN 100
			51 mm	63.5 mm	76.1 mm	101.6 mm
3	1	Mounting tool for elastomer plug seals	9613172902	9613172902	9613172903	9613172903

TD 900-522

Pos	Qty	Denomination	DN 25 - 100
			25 - 101.6 mm
4	1	Tool for actuator bushing, (pos 6)	9614198401

TD 900-701

How to contact Alfa Laval

Contact details for all countries are continually updated on our website.

Please visit www.alfalaval.com to access the information directly.

© Alfa Laval Corporate AB

This document and its contents is owned by Alfa Laval Corporate AB and protected by laws governing intellectual property and thereto related rights. It is the responsibility of the user of this document to comply with all applicable intellectual property laws. Without limiting any rights related to this document, no part of this document may be copied, reproduced or transmitted in any form or by any means (electronic, mechanical, photocopying, recording, or otherwise), or for any purpose, without the expressed permission of Alfa Laval Corporate AB. Alfa Laval Corporate AB will enforce its rights related to this document to the fullest extent of the law, including the seeking of criminal prosecution.