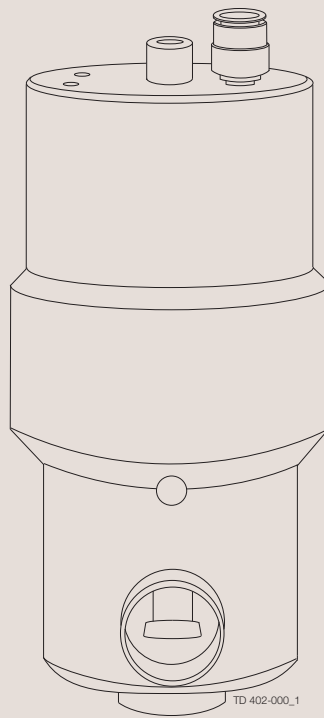




## Spare Parts

### LKAP Air-Operated Valve



ESE00800-EN2 2011-02

Original manual

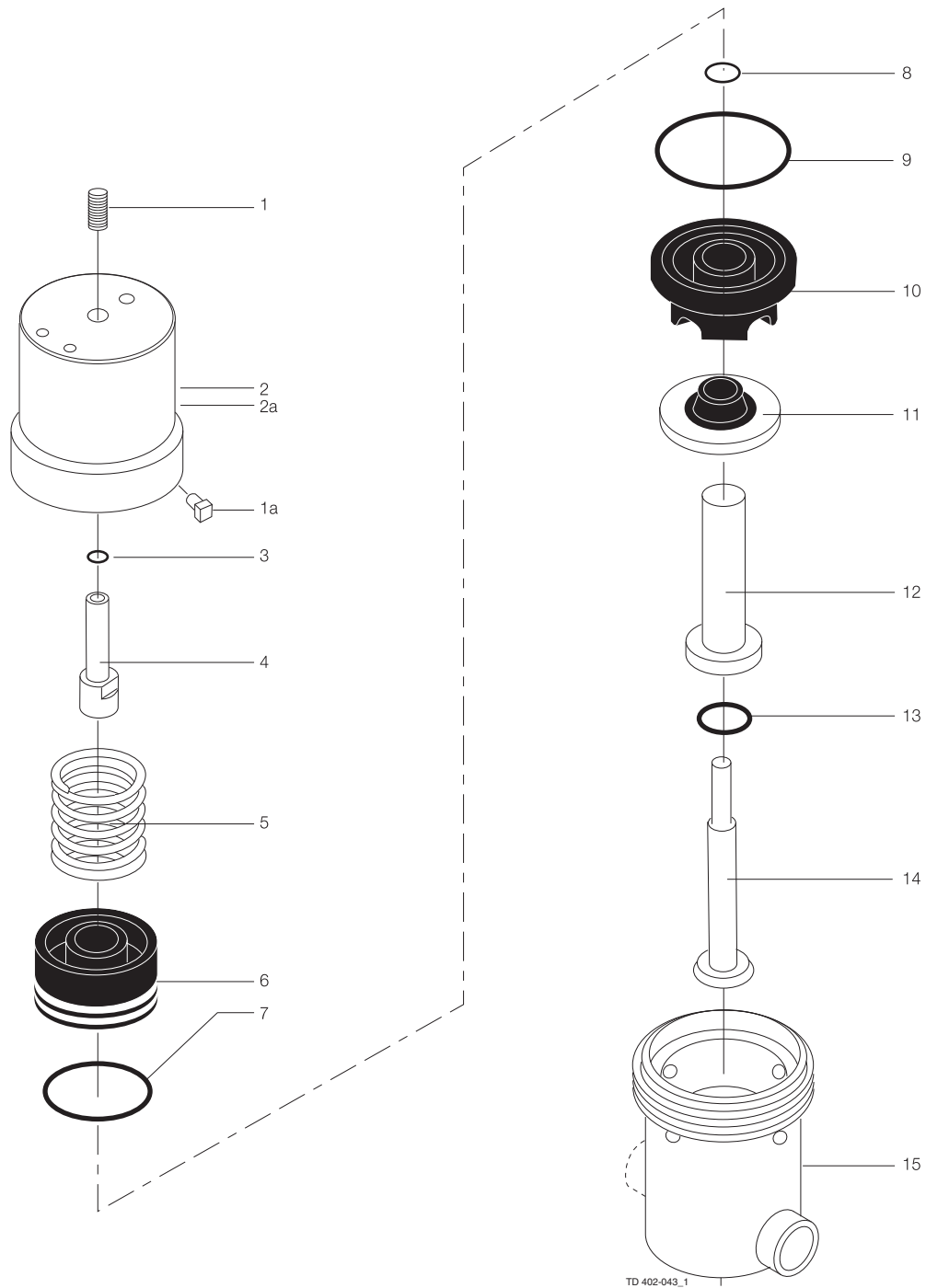


## Table of contents

---

*The information herein is correct at the time of issue but may be subject to change without prior notice*

1. Air-Operated Valves with Welding Ends - LKAP-V & LKAP-T .....	4
2. Reed Type Double Signalling Unit for Valve LKAP .....	6



# Air-Operated Valves with Welding Ends - LKAP-V & LKAP-T

Pos	Qty	Denomination	25 mm
1	1	Pointed screw .....	9611-99-0217
1a	1	Plug .....	31353-0154-1
2	1	Air cylinder, Stainless steel (standard) .....	9612-0814-01
2a	1	Air cylinder, noryle .....	9611-40-2431
3	□	O-ring, NBR .....	9611-99-0038
4	1	Nut .....	9611-40-2441
5	1	Spring .....	9611-99-0410
6	1	Piston .....	9611-40-2433
7	□	O-ring, NBR .....	9611-99-0039
8	□	O-ring, NBR .....	9611-99-0049
9	□	O-ring, NBR .....	9611-99-0022
10	1	Bottom piece .....	9611-40-2432
11	♦	Lip seal, NBR (standard) .....	9611-40-310-0
	1	Lip seal, EPDM .....	9611-40-310-1
	1	Lip seal, FPM .....	9611-40-310-2
12	1	Hollow spindle .....	9611-40-2435
13	♦	O-ring, NBR (standard) .....	9611-99-0040
	1	O-ring, EPDM .....	9611-99-0554
	1	O-ring, FPM .....	9611-99-0045
14	1	Valve spindle .....	9611-40-2489
15	1	L-Valve house .....	9611-40-2428
	1	T-Valve house .....	9611-40-2521

## 25 mm

### Service Kit for Actuator

□	Service kit .....	9611-92-4001
---	-------------------	--------------

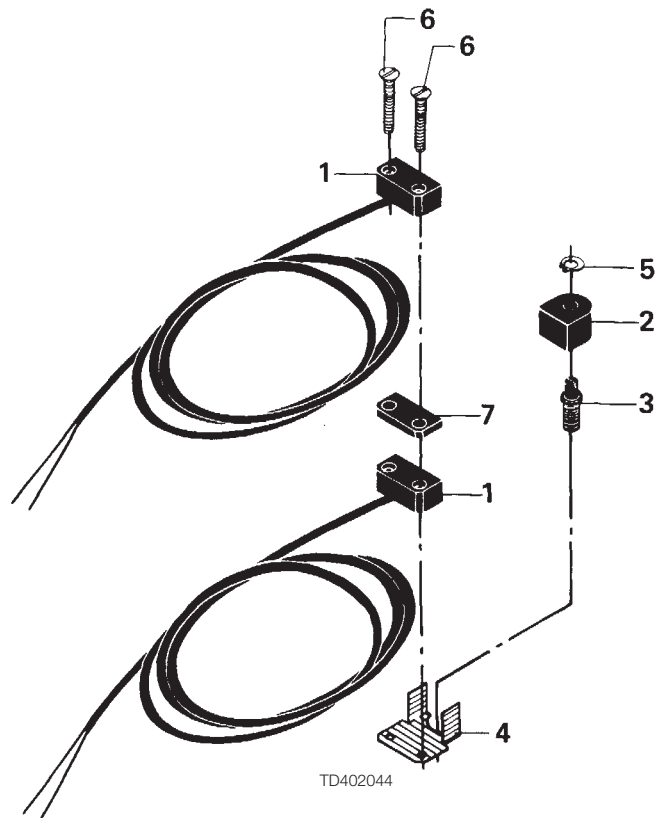
### Service Kit for Product wetted parts

♦	Service kit, NBR .....	9611-92-4002
♦	Service kit, EPDM .....	9611-92-4003
♦	Service kit, FPM .....	9611-92-4004

Parts marked with □♦ are included in the service kits.

Recommended spare parts: Service kits.

900-427



## Reed Type Double Signalling Unit for Valve LKAP

---

Pos	Qty	Denomination	9611-40-2551
1	2	Single reed switch .....	9611-40-2550
2	1	Magnet for reed switch .....	9611-40-2545
3	1	Adjusting screw .....	9611-40-2539
4	1	Guide plate .....	9611-40-2538
5	1	Segerring .....	9611-99-0736
6	2	Screw .....	9611-99-0330
7	1	Distance plate (period 82.04-) .....	9611-40-2485

900-428

**How to contact Alfa Laval**

Contact details for all countries are continually updated on our website.

Please visit [www.alfalaval.com](http://www.alfalaval.com) to access the information directly.

© Alfa Laval Corporate AB

This document and its contents is owned by Alfa Laval Corporate AB and protected by laws governing intellectual property and thereto related rights. It is the responsibility of the user of this document to comply with all applicable intellectual property laws. Without limiting any rights related to this document, no part of this document may be copied, reproduced or transmitted in any form or by any means (electronic, mechanical, photocopying, recording, or otherwise), or for any purpose, without the expressed permission of Alfa Laval Corporate AB. Alfa Laval Corporate AB will enforce its rights related to this document to the fullest extent of the law, including the seeking of criminal prosecution.