



Keep an Eye on Your Product

Alfa Laval LKGG-1 and LKGL-1 In-Line Sight Glass

Concept

In-line sight glass type LKGG-1 and LKGL-1 is used in pipelines to allow visual observation of product flow.

Standard Design

LKGG-1 consists of a perforated stainless steel shield tube fitted with a welding union at each end. A special glass tube is fixed in the shield tube so that it is unaffected by possible stresses in the pipelines.

LKGL-1 has a stainless steel light fitting unit welded onto the shield tube so that the product flow can be illuminated.



TECHNICAL DATA

Temperature

Recommended max. working temperature: 110°C.
Recommended max. working temperature: 230°F.
Max. thermal shock: 100°C.
Max. thermal shock: 212°F.
Bulb: 24 V / 24 W.
Bulb socket: B 15.

Pressure

Max. test pressure (20°C): 500 kPa (5 bar).
Max. test pressure (68°F): 72.5 psi (5 bar).

Sizes

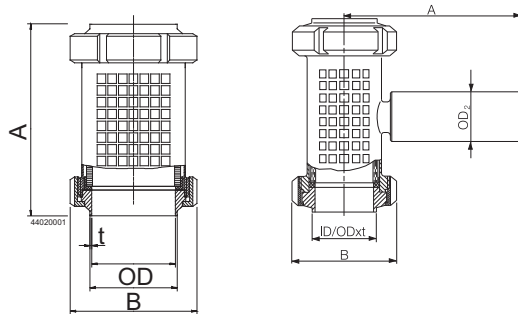
25 mm (1"), 38 mm (1½"), 51 mm (2"), 63.5 mm (2½") and 76 mm (3").

PHYSICAL DATA

Materials

Seals: EPDM rubber.
Steel grade: Stainless steel AISI 304 or
acidresistant steel AISI 316.
Glass disc: Borosilicate.

Dimensions (mm)(in)



Size	25mm	38mm	51mm	63.5mm	76.1mm	101.6mm
A	175	181	188	194	200	-
B	64	77	91	106	122	148
OD	26.2	38.9	51.6	64.3	76.6	102
ID	22.5	35.5	48.5	60.5	72	97.6
t	1.85	1.7	1.55	1.9	2.3	2.2
Weight (kg)	1.0	1.5	2.0	2.5	3.6	-

Size	1"	1.5"	2"	2.5"	3"	4"
A	6.89	7.13	7.4	7.64	7.87	-
B	2.52	3.03	3.58	4.17	4.8	5.83
OD	1.03	1.53	2.03	2.53	3.02	4.02
ID	0.89	1.4	1.91	2.38	2.83	3.84
t	0.07	0.07	0.06	0.07	0.09	0.09
Weight (lb)	2.20	3.31	4.41	5.51	7.94	-

Notel

- LKGL-1: +0.5 kg0.5 kg
- Size 101.6mm4" only for LKGG-1

Options

Material grades

A. Seals of Nitrile (NBR).

Ordering

Please state the following when ordering:

- Materials, AISI 304 or 316.
- Type: LKGG-1 or LKGL-1.
- Size.

Alfa Laval reserves the right to change specifications without prior notification. ALFA LAVAL is a trademark registered and owned by Alfa Laval Corporate AB.

ESE02840EN 1507

© Alfa Laval

How to contact Alfa Laval

Contact details for all countries are continually updated on our website. Please visit www.alfalaval.com to access the information direct.