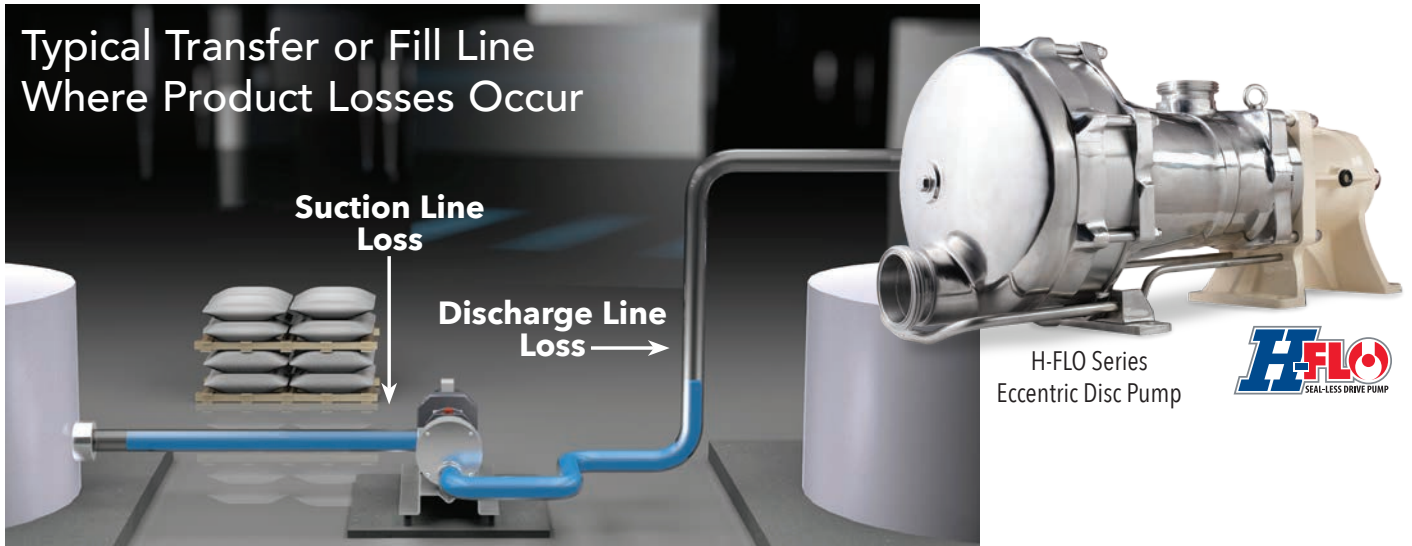


Now is the time to install Mouvex Seal-less Eccentric Disc Pumps to minimise product waste and dramatically improve production yield.



Calculate Your Savings

☐ Suction and Discharge Line Losses

with Mouvex's product recovery capabilities on both suction (self priming) and discharge (compressor effect) capability:

Table 1

Size		Volume	
OD inch	OD mm	Gallon/Foot	Liters/Meter
1.0	25	0.03	0.38
1.5	38	0.08	0.95
2.0	51	0.14	1.77
2.5	63	0.23	2.85
3.0	76	0.34	4.17

Estimated Product Cost* per gallon or liter = _____

* Ideally to include sale value and disposal cost

Inlet / Suction Line	
Length of Inlet Tube	
Volume (Multiply from Table 1)	
% Nominal Recovery* 95%	
Cost (Volume x % x Cost/Unit)	

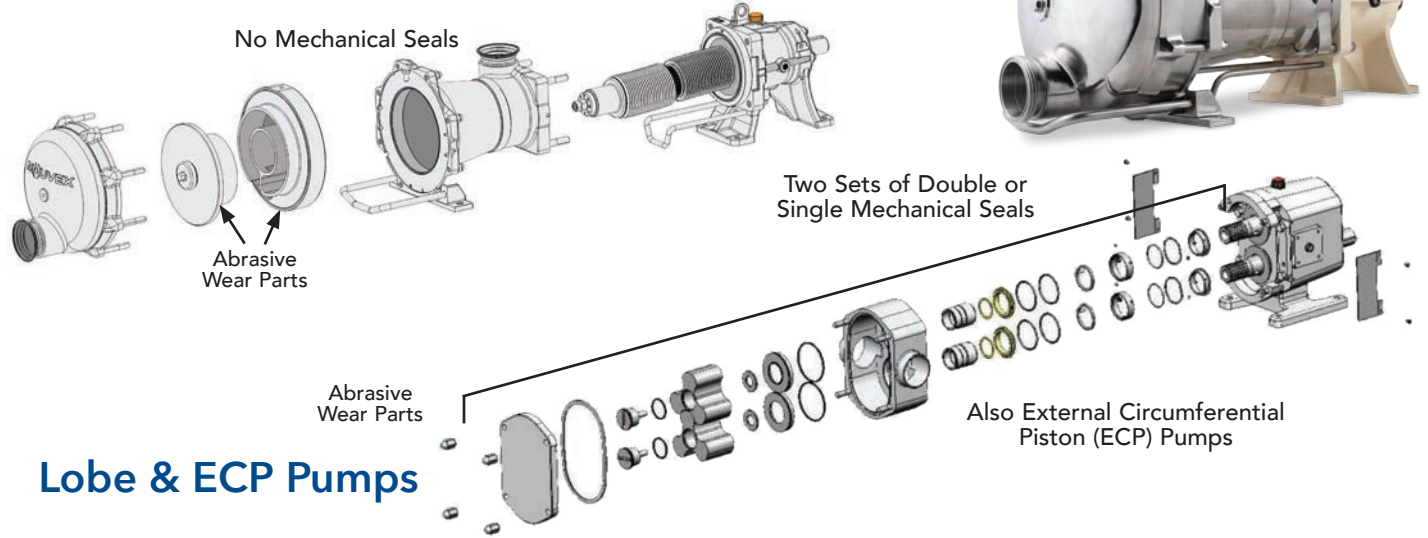
*Typical recovery on suction is 90-98%+

Discharge Line	
Length of Outlet Tube	
Volume (Multiply from Table 1)	
% Nominal Recovery* 80%	
Cost (Volume x % x Cost/Unit)	

*Typical recovery on discharge 50%-90%+

_____ / time x _____ $\frac{\text{times}}{\text{year}}$ = £/\$ _____ / year

Mouvex Principle



Lobe & ECP Pumps

Seal Replacement Costs: _____ times per year x _____ /seal set = _____
(typical 800-1.700 £ / USD \$1,000-\$2000+ per set)
 Mouvex seal-less design will assist with difficult to seal applications

Seal Water Flush Costs: _____ volume/hour x £/\$ _____ /volume x _____ hours/year = _____
(volume is liters or gallons) (typical 8-17.000 £ / USD \$10K-20K/year in per pump)
 Mouvex seal-less design does not require/use water or other flush

Pump Rebuild Cost: _____ times per year x _____ cost = _____
Mouvex replaces some pumps that have to be rebuilt as much as twice per year at 70% the cost of new.
 For Mouvex, the cover/casing are not wear items. Disc/cylinder are auto adjusting for wear.

Power Consumed: _____ extra kW x £/\$ _____ kW/hr _____ hours/year = _____
(For typical low viscosity applications, Mouvex uses 0.2kW to 1.5kW+ less power for applications that produce slip with lobe or ECP pumps) (1 hp = 0.75 kW)
 Because of essentially no slip, Mouvex power is not wasted.

Summary: Subtotal Reduction in Cost of Ownership = _____
 Subtract Rebuild of Mouvex _____ - 70% rebuild cost/years until rebuild = _____

Estimate Net Value of Pump Upgrade to Organisation = _____

Caution: Average values are noted from field applications; these values are not contractual and must be determined for specific situation. The assurance in that the savings will provide faster than normal payback.

MX-10005-F-03-A4

Copyright 2021 PSG®, a Dover company

Authorized PSG® Partner:



Industrial Trading Solutions Ltd
 6, Station Road, Coleshill, Birmingham, B46 1HT
 Tel: 01675 465 191 Fax: 01675 464429
www.industrialtradingsolutions.com
sales@industrialtradingsolutions.com

Where Innovation Flows



PSG
 ZI la Plaine des Isles • 2 rue des Caillottes
 F-89000 Auxerre, France
 P: +33 (0) 3 86 49 86 30
contact.mouvex@psgdover.com
psgdover.com/mouvex